

Linie-IP-F3C

7W Fixed IP Rated Recessed Linear Downlight

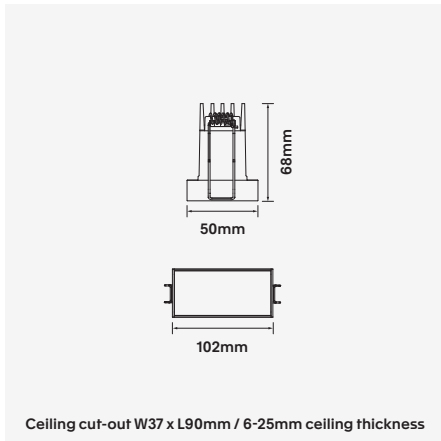


Luminaire Finishes

White (WH) Black (BK)

Baffle Finishes

White (WH) Black (BK) Gold (GD)
 Silver (SV)



WATTAGE 7W
UGR <19
CRI (Ra) >90
Bluetooth
Z
BAIT
CE
WARRANTY 5YR

3-Step
24° / 40°
37 x 90
IP 65
Recessed

Fixed IP65 rated recessed LED architectural downlight series provides symmetrical, low-glare light distribution within a compact, linear housing. Designed as an exterior fitting and available in multiple baffle finishes the Linie-IP is suitable for a range of environments and applications.

Features a quality constructed die-cast aluminium structure and glass lens. Integrating OSRAM LED technology with a TRIDONIC control gear, the Linie-IP series comes with a 5 year warranty.

- Luminaire wattage: 7W (System 9W)
- Luminous flux: 450-500Lm²
- Luminaire efficacy: 50Lm/W¹
- Correlated colour temperature: 3000K, 4000K
- Colour rendering index: >90³
- Mac-Adams Ellipse: 3-SDCM
- LED brand: Osram SMD LED
- Glare control: <19
- Symmetrical distribution: 24°, 40°
- Outer trim: Width 50mm x Length 102mm
Ceiling cut-out Width 37mm x Length 90mm
- Ingress protection rating: IP65
- Luminaire finishes: White, Black
- Baffle options: White, Black, Gold, Silver⁴
- Longevity: >50,000Hrs L80 B10
- Driver: Tridonic non-dimmable LED driver as standard
- Dimming: DALI-2, BLE (basicDIM Wireless / Casambi) on request⁴
- Weight: 255g (inc. non-dimmable driver)
- Warranty: 5 years⁵

Model	LED Output ²	Luminous Flux ²	LED Wattage	System Wattage	CCT	CRI ³	Distribution
LINE-IP-F3C-7W-3K-24	650Lm	450Lm	7W	9W	3000K	>90	24°
LINE-IP-F3C-7W-4K-24	700Lm	500Lm	7W	9W	4000K	>90	24°
LINE-IP-F3C-7W-3K-40	650Lm	400Lm	7W	9W	3000K	>90	40°
LINE-IP-F3C-7W-4K-40	700Lm	450Lm	7W	9W	4000K	>90	40°

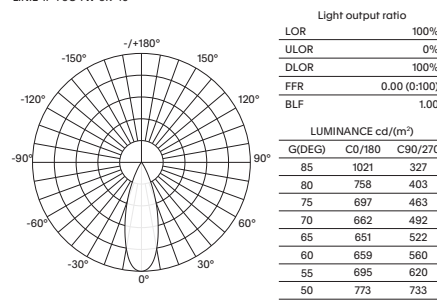
For Non-dimming add suffix ND
For DALI-2 dimming add suffix D
For BLUETOOTH dimming add suffix BT

Example product order code configuration: LINE-IP-F3C-7W-3K-40-ND-(WH/BK)

Model	Wattage	CCT	Distribution	Driver	Luminaire Finish / Baffle Finish
LINE-IP-F3C	7W	3K	40	ND	WH/BK

Light Distribution

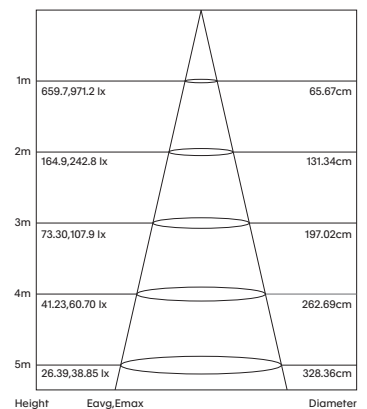
LINE-IP-F3C-7W-3K-40



Utilisation Factors

Room Reflectance	Room Index									
Ceiling Walls Floor	0.80	1.00	1.25	1.50	2.00	2.50	3.00	4.00	5.00	
70 50 20	92	96	100	102	105	106	108	110	112	

Cone Diagram



1 Luminaire efficacy based on CCT 3000K; CCT variation will alter efficacy
2 +/- 10% stated initial LED and luminous flux tolerance
3 Colour Rendering Index; >90 Standard (Osram SMD series)
4 Charges apply for non-standard colour/s and dimming options
5 Five year manufacturer's warranty covering product defects and performance deficiencies