

## Linie-IP-F5C

### 11W Fixed IP Rated Recessed Linear Downlight

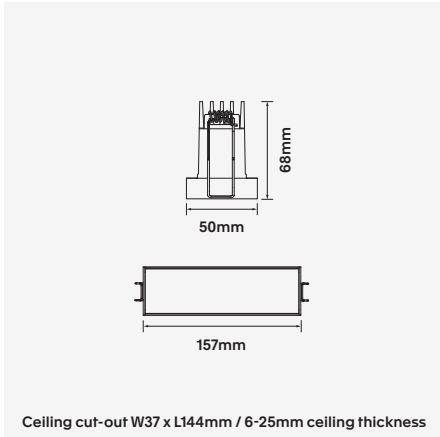


Luminaire Finishes

White (WH)  Black (BK)

Baffle Finishes

White (WH)  Black (BK)  Gold (GD)  
 Silver (SV)



WATTAGE 11W
UGR <19
CRI (Ra) >90
Bluetooth
Z
BAIT
CE
WARRANTY 5YR

3-Step
24° / 40°
37 x 144
IP 65
Recessed

Fixed IP65 rated recessed LED architectural downlight series provides symmetrical, low-glare light distribution within a compact, linear housing. Designed as an exterior fitting and available in multiple baffle finishes the Linie-IP is suitable for a range of environments and applications.

Features a quality constructed die-cast aluminium structure and glass lens. Integrating OSRAM LED technology with a TRIDONIC control gear, the Linie-IP series comes with a 5 year warranty.

- Luminaire wattage: 11W (System 13W)
- Luminous flux: 750-850Lm<sup>2</sup>
- Luminaire efficacy: 57.69Lm/W<sup>1</sup>
- Correlated colour temperature: 3000K, 4000K
- Colour rendering index: >90<sup>3</sup>
- Mac-Adams Ellipse: 3-SDCM
- LED brand: Osram SMD LED
- Glare control: <19
- Symmetrical distribution: 24°, 40°
- Outer trim: Width 50mm x Length 157mm  
Ceiling cut-out Width 37mm x Length 144mm
- Ingress protection rating: IP65
- Luminaire finishes: White, Black
- Baffle options: White, Black, Gold, Silver<sup>4</sup>
- Longevity: >50,000Hrs L80 B10
- Driver: Tridonic non-dimmable LED driver as standard
- Dimming: DALI-2, BLE (basicDIM Wireless / Casambi) on request<sup>4</sup>
- Weight: 390g (inc. non-dimmable driver)
- Warranty: 5 years<sup>5</sup>

| Model                 | LED Output <sup>2</sup> | Luminous Flux <sup>2</sup> | LED Wattage | System Wattage | CCT   | CRI <sup>3</sup> | Distribution |
|-----------------------|-------------------------|----------------------------|-------------|----------------|-------|------------------|--------------|
| LINE-IP-F5C-11W-3K-24 | 1050Lm                  | 750Lm                      | 11W         | 13W            | 3000K | >90              | 24°          |
| LINE-IP-F5C-11W-4K-24 | 1100Lm                  | 850Lm                      | 11W         | 13W            | 4000K | >90              | 24°          |
| LINE-IP-F5C-11W-3K-40 | 1050Lm                  | 700Lm                      | 11W         | 13W            | 3000K | >90              | 40°          |
| LINE-IP-F5C-11W-4K-40 | 1100Lm                  | 800Lm                      | 11W         | 13W            | 4000K | >90              | 40°          |

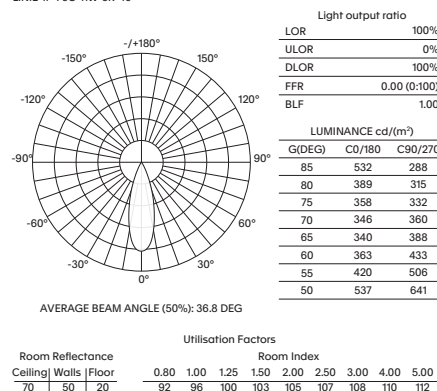
For Non-dimming add suffix ND  
For DALI-2 dimming add suffix D  
For BLUETOOTH dimming add suffix BT

Example product order code configuration: LINE-IP-F5C-11W-3K-40-ND-(WH/BK)

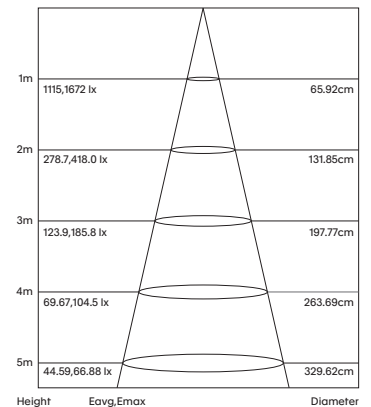
| Model       | Wattage | CCT | Distribution | Driver | Luminaire Finish / Baffle Finish |
|-------------|---------|-----|--------------|--------|----------------------------------|
| LINE-IP-F5C | 11W     | 3K  | 40           | ND     | WH/BK                            |

#### Light Distribution

LINE-IP-F5C-11W-3K-40



#### Cone Diagram



1 Luminaire efficacy based on CCT 3000K; CCT variation will alter efficacy  
2 +/- 10% stated initial LED and luminous flux tolerance  
3 Colour Rendering Index; >90 Standard (Osram SMD LED series)  
4 Charges apply for non-standard colour/s and dimming options  
5 Five year manufacturer's warranty covering product defects and performance deficiencies