

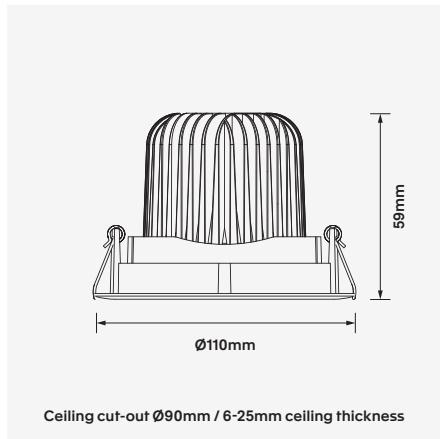
Carter-F90

10W Fixed IP Rated LED Recessed Downlight



Luminaire Finishes

White (WH) Black (BK) Custom



Ceiling cut-out Ø90mm / 6-25mm ceiling thickness

WATTAGE 10W

Ø 90

UGR <19

Bluetooth

Z

BTLT

CE

WARRANTY 5YR

3-Step

CRI (Ra) >83

60°

IP 65

IP65 rated, recessed, LED luminaire series with a deep set light source, providing symmetrical low glare distribution and efficient performance. Suitable for interior or exterior applications, it is available in a range of wattage/lumen packages and various dimming options.

With a die-cast aluminium housing and aluminium reflector, it is available in black, white and custom finishes. Integrating Zhaga compliant Citizen LED technology with Tridonic control gear, the Carter series comes with a 5 year warranty.

- Luminaire wattage: 10W (System 13W)
- Luminous flux: 1075-1110Lm²
- Luminaire efficacy: 82.69Lm/W¹
- Correlated colour temperature: 3000K, 4000K
- Colour rendering index: >83³
- Mac-Adams Ellipse: 3-SDCM
- LED brand: Citizen COB LED
- Glare control: UGR<19
- Symmetrical distribution: 60°
- Outer trim Ø110mm; Ceiling cut-out Ø90mm
- Ingress protection rating: IP65 standard (Complete)
- Luminaire finishes: White; Black; Custom optional⁴
- Longevity: >50,000Hrs L80 B10
- Driver: Tridonic non-dimmable as standard
- Dimming: DALI-2, BLE (basicDIM Wireless / Casambi) on request⁴
- Weight: 380g (excluding driver)
- Warranty: 5 years⁵

Model	LED Output ²	Luminous Flux ²	LED Wattage	System Wattage	CCT	CRI ³	Distribution
CARTER-F90-10W-3K	1200Lm	1075Lm	10W	13W	3000K	>83	60°
CARTER-F90-10W-4K	1270Lm	1110Lm	10W	13W	4000K	>83	60°

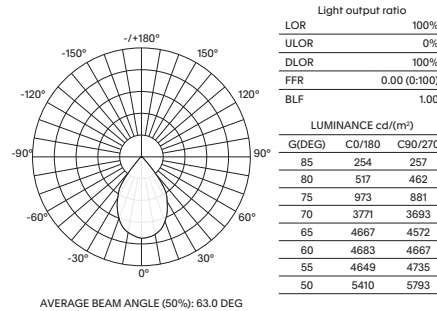
For Non-dimming add suffix ND
For DALI-2 dimming add suffix D
For BLUETOOTH dimming add suffix BT

Example product order code configuration: CARTER-F90-10W-3K-60-D-(WH)

Model	Wattage	CCT	Distribution	Driver	Luminaire Finish					
CARTER-F90	+	10W	+	3K	+	60	+	D	+	WH

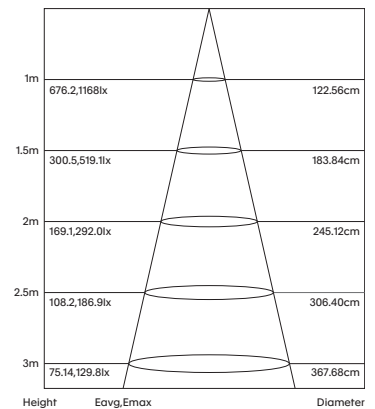
Light Distribution

CARTER-F90-10W-3K-60



Room Reflectance		Utilisation Factors									
Ceiling	Walls Floor	Room Index									
70	50 20	0.80	1.00	1.25	1.50	2.00	2.50	3.00	4.00	5.00	
		90	94	98	101	104	106	107	110	111	

Cone Diagram



1 Luminaire efficacy based on CCT 3000K; CCT variation will alter efficacy
2 +/- 10% stated initial LED and luminous flux tolerance
3 Colour Rendering Index: >83 Standard (Citizen COB series)
4 Additional charges apply for non-standard colour/s and dimming options
5 Five year manufacturer's warranty covering product defects and performance deficiencies