

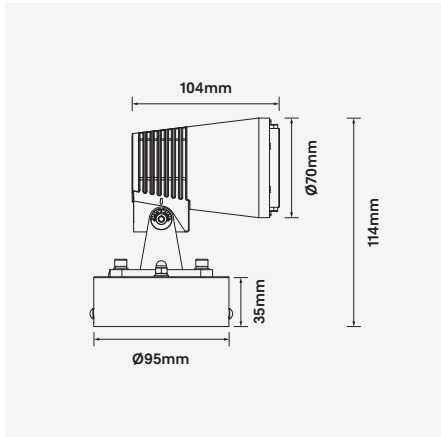
## ILLUMA-SP70

### 6W Architectural Surface Mounted Luminaire



Luminaire Finishes

- White (WH)
- Black (BK)
- Silver (SV)
- Dark Grey (DG)



#### Accessories

##### Anti-Glare Hood Part no: ILLUMA-SP70-AG

For Dark Grey / White / Black / Silver, add suffix-DG, WH, BK, SV



WATTAGE 6W	3-Step	IP 65	IK 06	Bluetooth	CE	WARRANTY 5YR
CRI (Ra) >80	355° @ 45°	15° / 24° / 38° / 60°	VOLTAGE 24VDC	VOLTAGE 240VAC	Surface	

Illuma is an exterior, surface mounted spot luminaire suited for architectural applications. A wide array of optical distributions make it suitable for spotlighting features or floodlighting larger sculptures and structures. With an LED light source from NICHIA providing exceptional illumination and >90% optical efficiency, Illuma is available in a range of wattages from 6W through to 40W.

Illuma is constructed from a high quality aluminium casting for added durability and superior thermal heat dissipation and has a high quality electro-static powder coating to ensure protection for years to come. The Illuma series is backed by a 5 year warranty.

- Luminaire wattage: 6W (System 7.5W)
- Luminous flux: 646-730Lm<sup>2</sup>
- Luminaire efficacy: 86.13Lm/W<sup>1</sup>
- Correlated colour temperature: 3000K, 4000K
- Colour rendering index: >80<sup>3</sup>
- Mac-Adams Ellipse: 3-SDCM
- LED brand: Nichia COB LED
- Symmetrical distribution: 15°, 24°, 38°, 60°
- Outer trim Ø70mm x Height 144mm x Length 104mm
- Ingress protection rating: IP65
- Impact protection: IK06
- Luminaire finish: Dark Grey (RAL7037), Black (RAL9005), White (RAL9003), Silver (RAL9022)
- Longevity: >50,000hrs L80 B10
- Driver: Integral non-dimmable (240VAC); DC-DC (24VDC)
- Dimming: (24VDC) DALI-2 & BLE (basicDIM Wireless / Casambi) optional<sup>4</sup>
- Weight: 1kg (inc. integral driver)
- Warranty: 5 years<sup>5</sup>

Model	Luminous Flux <sup>2</sup>	LED Wattage	System Wattage	CCT	CRI <sup>3</sup>	Distribution
ILLUMA-SP70-X-6W-3K	646Lm	6W	7.5W	3000K	>80	15°, 24°, 38°, 60°
ILLUMA-SP70-X-6W-4K	730Lm	6W	7.5W	4000K	>80	15°, 24°, 38°, 60°

For Non dimming add suffix ND  
For DALI-2 dimming add suffix D  
For BLUETOOTH dimming add suffix BT

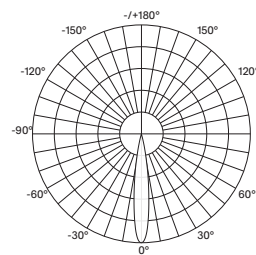
Replace X with 24V for 24VDC option  
*(24VDC version required if dimming)*

Example product order code configuration: ILLUMA-SP70-6W-3K-38-ND-(DG)

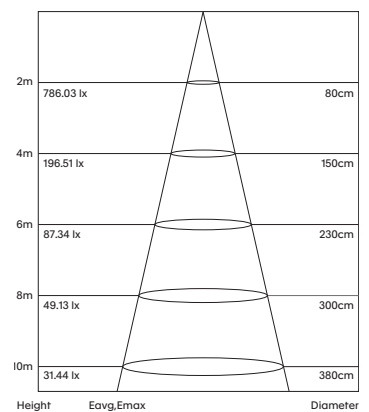
Model	Wattage	CCT	Distribution	Driver	Luminaire Finish					
ILLUMA-SP70	+	6W	+	3K	+	38	+	ND	+	DG

#### Light Distribution

ILLUMA-SP70-6W-3K



#### Cone Diagram



- 1 Luminaire efficacy based on CCT 3000K; CCT variation will alter efficacy
- 2 +/- 10% stated initial LED and luminous flux tolerance
- 3 Colour rendering Index: >80 standard (Nichia COB Series)
- 4 Additional charges apply for non-standard colour/s, accessories, 24VDC LED drivers and dimming options  
24VDC luminaire required if dimming is required
- 5 Five year manufacturer's warranty covering product defects and performance deficiencies