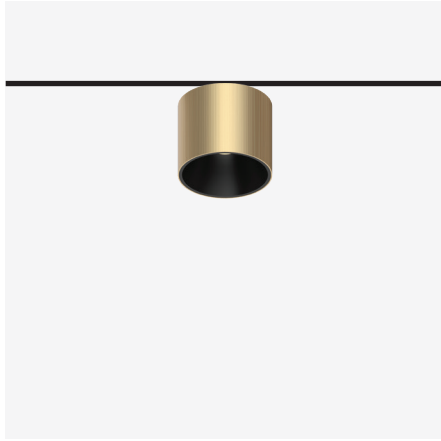


Oracle-TR1

10W Single Round Fixed 48VDC LED Track Luminaire

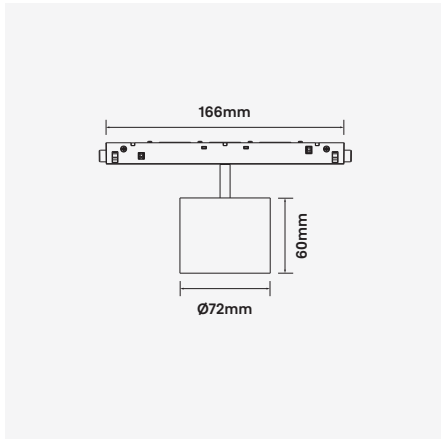


Luminaire Finishes

White (WH) Black (BK) Brushed Gold (BG)

Interchangeable Baffle Finishes

White (WH) Black (BK) Gold (GD)
 Specular (SP) Black Chrome (BC)



WATTAGE 10W

VOLTAGE 48VDC

25° / 36° / 50°

Bluetooth

BAZ

CE

WARRANTY 5YR

Track

3-Step

CRI (Ra) >90

IP 20

A 48VDC low voltage track system is synonymous with electrical safety, permitting greater flexibility and ease of use including installation. The luminaire can be installed and moved to any position without the need for turning off the power to the track. This is due to its low voltage input of 48VDC. No tools are required, the luminaires simply snap-lock into position, remaining in place until you want to remove or re-position the luminaire.

The elegant and minimalist design permits a range of micro luminaires ranging from spots, pendants and linear sources with many features. The system features simple on/off operation with additional dimming options to suit a number of protocols such as DALI or Bluetooth dimming. The system is designed to suit applications from residential through to retail and commercial. The Oracle-TR1 is covered by a 5 year warranty.

- Luminaire wattage: 10W (System)
- Luminous flux: 700-750Lm²
- Luminaire efficacy: 70.0Lm/W¹
- Correlated colour temperature: 3000K, 4000K
- Colour rendering index: >90³
- 3-Step-MacAdams Ellipse
- LED Brand: Citizen COB LED
- Optical distribution: 25°, 36°, 50°
- Ø72mm Trim x 60mm Depth
- Luminaire finishes: Black, White, Brushed Gold
- Baffle colour options: Black, White, Specular, Black Chrome, Gold
- Ingress protection rating: IP20
- Working voltage: 48VDC constant voltage
- Flicker free DC-DC internal driver
- Longevity: >50,000Hrs L80 B10
- Requires 48VDC remote driver and Track-System
- Dimming: DALI-2, BLE (Casambi) on request⁴
- Weight: 330g
- Warranty: 5 year⁵

Model	LED Lumens ²	Luminous Flux ²	System Wattage	CCT	CRI ³	Distribution
ORACLE-TR1-10W-3K	950Lm	700Lm	10W	3000K	>90	25°, 36°, 50°
ORACLE-TR1-10W-4K	1000Lm	750Lm	10W	4000K	>90	25°, 36°, 50°

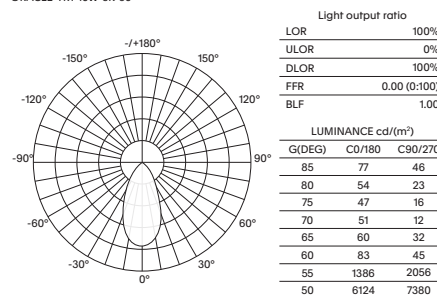
For Non-dimming add suffix ND
 For DALI-2 dimming add suffix D
 For BLUETOOTH dimming add suffix BT

Example product order code configuration: ORACLE-TR1-10W-3K-50-D-(BK/BK)

Model	Wattage	CCT	Distribution	Driver	Luminaire Finish / Baffle Finish
ORACLE-TR1	10W	3K	50	D	BK/BK

Light Distribution

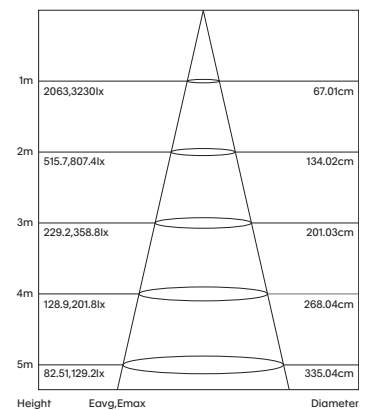
ORACLE-TR1-10W-3K-50



AVERAGE BEAM ANGLE (50%): 46.7 DEG

Room Reflectance		Utilisation Factors																	
Ceiling	Walls Floor	Room Index																	
0.80	1.00 1.25	1.50	2.00	2.50	3.00	4.00	5.00	70	50	20	89	93	98	101	104	105	107	110	111

Cone Diagram



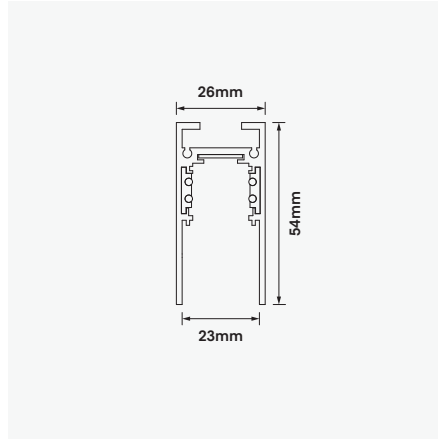
1 Luminaire efficacy based on CCT 3000K; CCT variation will alter efficacy
 2 +/- 10% stated initial LED and luminous flux tolerance
 3 Colour Rendering Index: >90 Standard (Citizen COB Series)
 4 Additional charges apply for non-standard colour/s, dimming and accessories
 5 Five year manufacturer's warranty covering product defects and performance deficiencies

Oracle-TR1

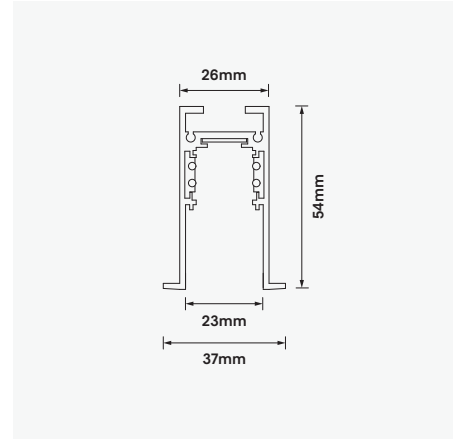
10W Single Round Fixed 48VDC LED Track Luminaire

48VDC TRACK-SYSTEM track options

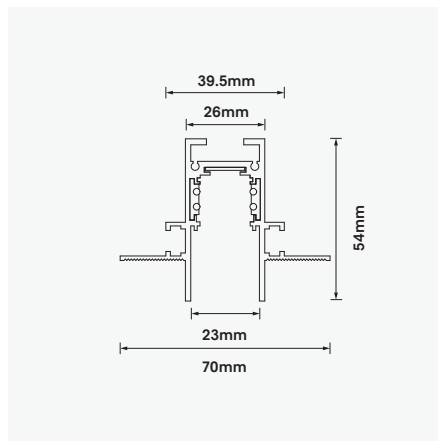
Surface / Suspended Track
Product No: TR-SM26
Colour: Black
Size: W26mm x H54mm



Recessed Track
Product No: TR-REC26
Colour: Black
Size: W37mm x H54mm



Recessed Trimless Track
Product No: TR-TL26
Colour: Black
Size: W70mm x H54mm



- 1 Luminaire efficacy based on CCT 3000K; CCT variation will alter efficacy
- 2 +/- 10% stated initial LED and luminous flux tolerance
- 3 Colour Rendering Index: >90 Standard (Citizen COB Series)
- 4 Additional charges apply for non-standard colour/s, dimming and accessories
- 5 Five year manufacturer's warranty covering product defects and performance deficiencies