

Kuppel-F68S

7.5W / 11W Fixed LED Recessed Downlight

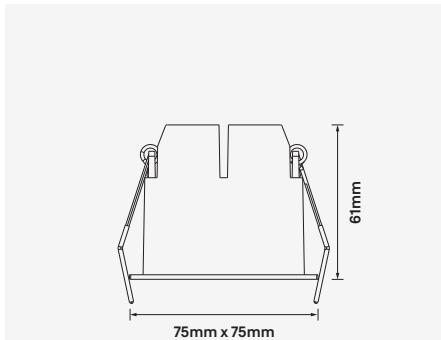


Luminaire Finishes

White (WH) Black (BK)

Interchangeable Baffle Finishes

White (WH) Black (BK) Matt (MT)



Ceiling cut-out 68mm x 68mm / 6-25mm ceiling thickness

WATTAGE 7.5W / 11W
IP 54
UGR <15
Bluetooth
Z
bakt
CE
WARRANTY 5YR

3-Step
CRI (Ra) >90
68x68
25° / 60°

Recessed LED architectural luminaire series providing optimised and efficient performance with an IP54 rating and deep-set lamp source for symmetrical low glare distribution. Available in a range of wattage / lumen packages, the Kuppel-F68S series also offers various dimming options with spring mounting for ease of installation.

Made from a die-cast aluminium housing with an aluminium reflector, it is available in a variety of finishes. Integrating Zhaga compliant Citizen LED technology and coupled with Tridonic control gear, the Kuppel series offers a 5 year warranty.

- Luminaire wattage: 7.5W, 11W (System 9W / 13W)
- Luminous flux: 700-750Lm, 900-950Lm²
- Luminaire efficacy: 77.77Lm/W, 69.23Lm/W¹
- Correlated colour temperature: 3000K, 4000K
- Colour rendering index: >90³
- Mac-Adams Ellipse: 3-SDCM
- LED Brand: Citizen COB LED
- Glare control: UGR<15
- Symmetrical distribution: 25°, 60°
- Outer Trim Width 75mm x Length 75mm; Ceiling cut-out Width 68mm x Length 68mm
- Ingress protection rating: IP54 standard (From underside)
- Luminaire finishes: White, Black
- Baffle Options: White, Black, Matt⁴
- Longevity: >50,000Hrs L80 B10
- Driver: Tridonic non-dimmable LED driver as standard
- Dimming: DALI-2, BLE (basicDIM Wireless / Casambi) on request⁴
- Weight: 190g (excluding driver)
- Warranty: 5 years⁵

Model	LED Output ²	Luminous Flux ²	LED Wattage	System Wattage	CCT	CRI ³	Distribution
KUPPEL-F68S-7.5W-3K-25	1000Lm	700Lm	7.5W	9W	3000K	>90	25°
KUPPEL-F68S-7.5W-4K-25	1100Lm	750Lm	7.5W	9W	4000K	>90	25°
KUPPEL-F68S-7.5W-3K-60	1000Lm	700Lm	7.5W	9W	3000K	>90	60°
KUPPEL-F68S-7.5W-4K-60	1100Lm	750Lm	7.5W	9W	4000K	>90	60°
KUPPEL-F68S-11W-3K-25	1300Lm	900Lm	11W	13W	3000K	>90	25°
KUPPEL-F68S-11W-4K-25	1400Lm	950Lm	11W	13W	4000K	>90	25°
KUPPEL-F68S-11W-3K-60	1300Lm	900Lm	11W	13W	3000K	>90	60°
KUPPEL-F68S-11W-4K-60	1400Lm	950Lm	11W	13W	4000K	>90	60°

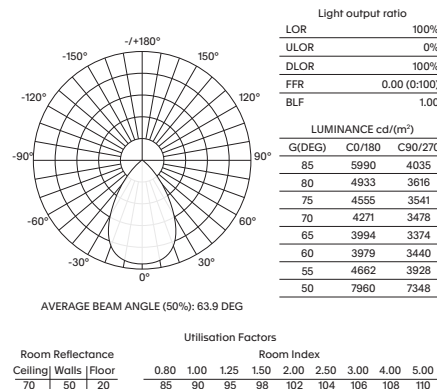
For Non-dimming add suffix ND
For DALI-2 dimming add suffix D
For BLUETOOTH dimming add suffix BT

Example product order code configuration: KUPPEL-F68S-11W-3K-60-D-(WH/WH)

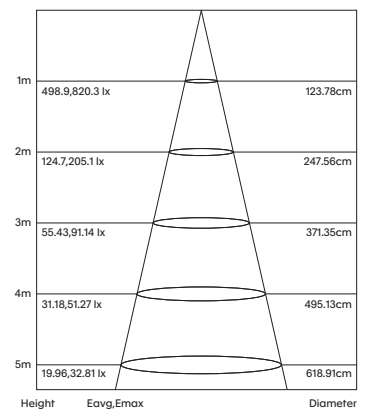
Model	Wattage	CCT	Distribution	Driver	Luminaire Finish / Baffle Finish					
KUPPEL-F68S	+	11W	+	3K	+	60	+	D	+	WH/WH

Light Distribution

KUPPEL-F68S-11W-3K-60



Cone Diagram



1 Luminaire efficacy based on CCT 3000K; CCT variation will alter efficacy
2 +/- 10% stated initial LED and luminous flux tolerance
3 Colour Rendering Index: >90 Standard (Citizen COB series)
4 Charges apply for non-standard colour/s and dimming options
5 Five year manufacturer's warranty covering product defects and performance deficiencies