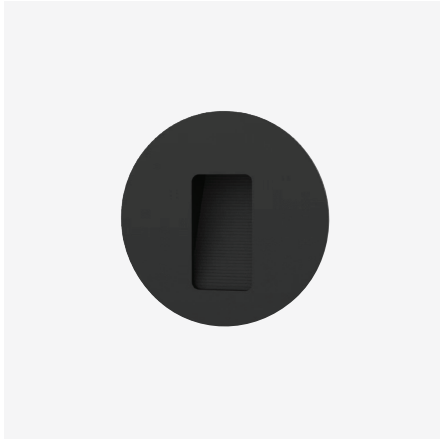


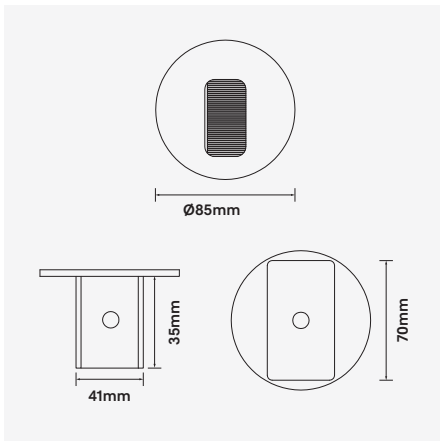
Kobe-WLR

3W Recessed Round Wall Luminaire



Luminaire Finishes

White / Black (WH/BK) Black / Black (BK/BK)



Accessories

KOBE-WLR-BOX
Aluminium concrete housing
W43mm x H72mm x D56mm



WATTAGE 3W
Ø 85
VOLTAGE 240VAC
CRI (Ra) >90
IP 44
CE
WARRANTY 5YR

3-Step
Asymmetrical
Low Glare
Wall mount

Kobe forms part of a series of step, corridor and room luminaires and consists of a special optical design for low glare and optimum illumination.

Featuring a minimal design which is able to be integrated into a range of applications, Kobe is manufactured using aluminium components and a polycarbonate lens.

Installation for the Kobe is made using a mounting spring for plaster board applications or with an aluminium housing for brick or concrete walls. Kobe comes with an integral non-dimmable driver as standard and a 5 year warranty.

- Luminaire wattage: 3W (System 3.3W)
- luminous flux: 25.9Lm²
- Luminaire efficacy: 7.88Lm/W¹
- Correlated colour temperature: 3000K, 4000K
- Colour rendering index: >90³
- Mac-Adams Ellipse: 3-SDCM
- LED brand: CREE SMD
- Direct light output ratio (LOR): 100%
- Upward light output ratio (ULOR): 0.0%
- Asymmetrical distribution
- Fascia: Ø85mm x Depth 35mm x Width 41mm
- Ingress protection rating: IP44 standard
- Luminaire finishes: White/Black, Black
- Longevity: >50,000hrs L70 B10
- Driver: Integral 240VAC non-dimmable standard
- Weight: 220g (including driver)
- Warranty: 5 years⁴

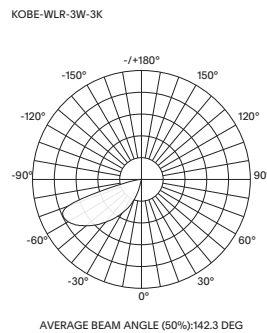
Model	Luminous Flux ²	LED Wattage	System Wattage	CCT	CRI ³	Distribution
KOBE-WLR-3W-3K-ASY	25.9Lm	3W	3.3W	3000K	>90	Asymmetrical
KOBE-WLR-3W-4K-ASY	20.7Lm	3W	3.3W	4000K	>90	Asymmetrical

For Non-dimming add suffix ND

Example product order code configuration: KOBE-WLR-3W-3K-ASY-ND-(WT/BK)

Model	Wattage	CCT	Distribution	Driver	Luminaire Finish					
KOBE-WLR	+	3W	+	3K	+	ASY	+	ND	+	WT/BK

Light Distribution



Cone Diagram

