

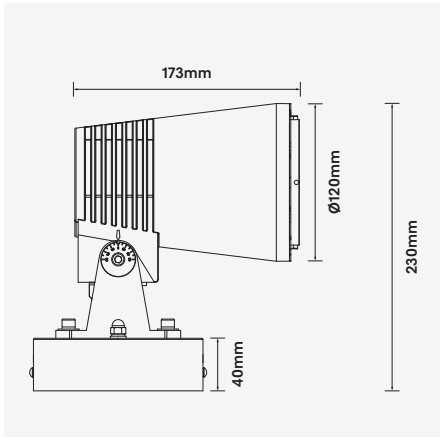
ILLUMA-SP120

20W Architectural Surface Mounted Luminaire



Luminaire Finishes

- White (WH) Black (BK)
- Silver (SV) Dark Grey (DG)



Accessories

Anti-Glare Hood

Part no: ILLUMA-SP120-AG

For Dark Grey / White / Black / Silver, add suffix -DG, WH, BK, SV



WATTAGE 20W

3-Step

IP 65

IK 06

Bluetooth

WARRANTY 5YR

CRI (Ra) >80

355° @ 45°

12° / 22° / 38°

VOLTAGE 24VDC

VOLTAGE 240VAC

Surface

Illuma is an exterior, surface mounted spot luminaire suited for architectural applications. A wide array of optical distributions make it suitable for spotlighting features or floodlighting larger sculptures and structures. With an LED light source from NICHIA providing exceptional illumination and >90% optical efficiency, Illuma is available in a range of wattages from 6W through to 40W.

Illuma is constructed from a high quality aluminium casting for added durability and superior thermal heat dissipation and has a high quality electro-static powder coating to ensure protection for years to come. The Illuma series is backed by a 5 year warranty.

- Luminaire wattage: 20W (System 22W)
- Luminous flux: 1543-1750Lm²
- Luminaire efficacy: 70.13Lm/W¹
- Correlated colour temperature: 3000K, 4000K
- Colour rendering index: >80³
- Mac-Adams Ellipse: 3-SDCM
- LED brand: Nichia COB LED
- Symmetrical distribution: 12°, 22°, 38°
- Outer trim Ø120mm x Height 230mm x Length 173mm
- Ingress protection rating: IP65
- Impact protection: IK06
- Luminaire finish: Dark Grey (RAL7037), Black (RAL9005), White (RAL9003), Silver (RAL9022)
- Longevity: >50,000hrs L80 B10
- Driver: Integral non-dimmable (240VAC); DC-DC (24VDC) optional
- Dimming: (24VDC) DALI-2 & BLE (basicDIM Wireless / Casambi) optional⁴
- Weight: 3kg (inc. integral driver)
- Warranty: 5 years⁵

Model	Luminous Flux ²	LED Wattage	System Wattage	CCT	CRI ³	Distribution
ILLUMA-SP120-X-20W-3K	1543Lm	20W	22W	3000K	>80	12°, 22°, 38°
ILLUMA-SP120-X-20W-4K	1753Lm	20W	22W	4000K	>80	12°, 22°, 38°

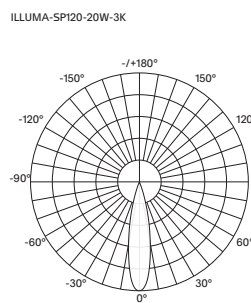
For Non dimming add suffix ND
For DALI-2 dimming add suffix D
For BLUETOOTH dimming add suffix BT

Replace X with 24V for 24VDC option
(24VDC version required if dimming)

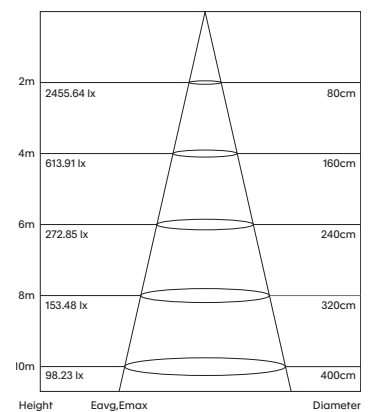
Example product order code configuration: ILLUMA-SP120-20W-3K-38-ND-(DG)

Model	Wattage	CCT	Distribution	Driver	Luminaire Finish					
ILLUMA-SP120	+	20W	+	3K	+	38	+	ND	+	DG

Light Distribution



Cone Diagram



- 1 Luminaire efficacy based on CCT 3000K; CCT in variation will alter efficacy
- 2 +/- 10% stated initial LED and luminous flux tolerance
- 3 Colour rendering Index: >80 standard (Nichia COB Series)
- 4 Additional charges apply for non-standard colour/s, accessories, 24VDC LED drivers and dimming options
24VDC luminaire required if dimming is required
- 5 Five year manufacturer's warranty covering product defects and performance deficiencies