

Linie-F5C

11W Fixed Linear Recessed Downlight

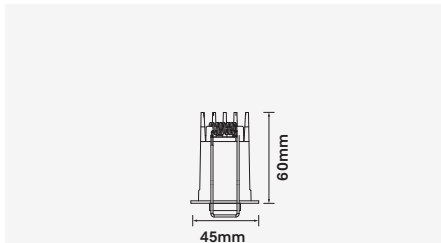


Luminaire Finishes

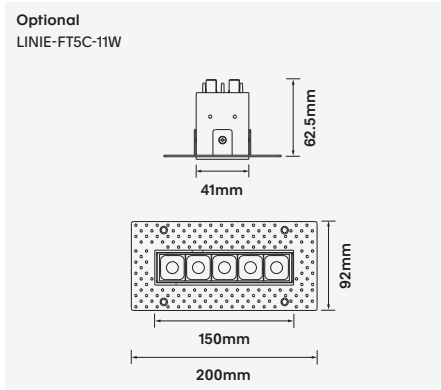
White (WH) Black (BK)

Interchangeable Baffle Finishes

White (WH) Black (BK) Gold (GD)
 Silver (SV)



Ceiling cut-out W37 x L144mm / 6-25mm ceiling thickness



Ceiling cut-out W47 x L154mm / 6-25mm ceiling thickness

WATTAGE 11W
UGR <19
CRI (Ra) >90
Bluetooth
Z
bati
CE
WARRANTY 5YR

3-Step
24° / 40°
37 x 144
154 x 47
IP 44
Recessed

Fixed recessed LED architectural downlight series provides symmetrical, low-glare light distribution within a compact, linear housing. Available in multiple baffle finishes to suit a variety of applications in a trim or trimless option for a seamless look.

Comes quality constructed using a die-cast aluminium structure with high grade polycarbonate secondary baffle optics. Integrating OSRAM LED technology with a TRIDONIC control gear, the Linie series comes with a 5 year warranty.

- Luminaire wattage: 11W (System 13W)
- Luminous flux: 800-850Lm²
- Luminaire efficacy: 61.54Lm/W¹
- Correlated colour temperature: 3000K, 4000K
- Colour rendering index: >90³
- Mac-Adams Ellipse: 3-SDCM
- LED brand: Osram SMD LED
- Glare control: <19
- Symmetrical distribution: 24°, 40°
- Outer trim: Width 45mm x Length 152mm
Ceiling cut-out Width 37mm x Length 144mm
- Ingress protection rating: IP44
- Luminaire finishes: White, Black
- Baffle options: White, Black, Gold, Silver⁴
- Longevity: >50,000Hrs L80 B10
- Driver: Tridonic non-dimmable LED driver as standard
- Dimming: DALI-2, BLE (basicDIM Wireless / Casambi) on request⁴
- Weight: 260g (inc. non-dimmable driver)
- Warranty: 5 years⁵

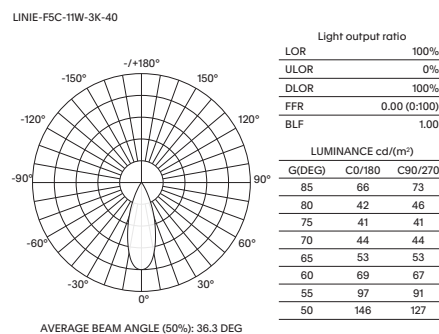
Model	LED Output ²	Luminous Flux ²	LED Wattage	System Wattage	CCT	CRI ³	Distribution
LINEIE-F5C-11W-3K-24	1050Lm	800Lm	11W	13W	3000K	>90	24°
LINEIE-F5C-11W-4K-24	1100Lm	850Lm	11W	13W	4000K	>90	24°
LINEIE-F5C-11W-3K-40	1050Lm	800Lm	11W	13W	3000K	>90	40°
LINEIE-F5C-11W-4K-40	1100Lm	850Lm	11W	13W	4000K	>90	40°

For Non-dimming add suffix ND
For DALI-2 dimming add suffix D
For BLUETOOTH dimming add suffix BT

Example product order code configuration: LINEIE-F5C-11W-3K-40-ND-(WH/BK)

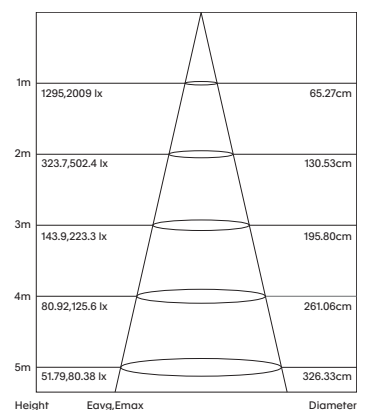
Model	Wattage	CCT	Distribution	Driver	Luminaire Finish / Baffle Finish
LINEIE-F5C	11W	3K	40	ND	WH/BK

Light Distribution



Room Reflectance	Utilisation Factors											
	Room Index											
Ceiling	0.80	1.00	1.25	1.50	2.00	2.50	3.00	4.00	5.00	70	50	20
Walls	92	96	100	103	105	107	108	110	112			
Floor												

Cone Diagram



1 Luminaire efficacy based on CCT 3000K; CCT variation will alter efficacy
2 +/- 10% stated initial LED and luminous flux tolerance
3 Colour Rendering Index; >90 Standard (Osram SMD series)
4 Charges apply for non-standard colour/s and dimming options
5 Five year manufacturer's warranty covering product defects and performance deficiencies