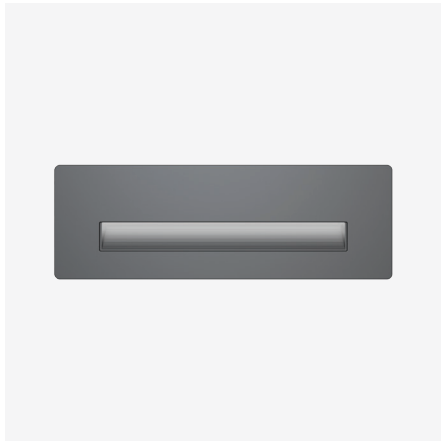


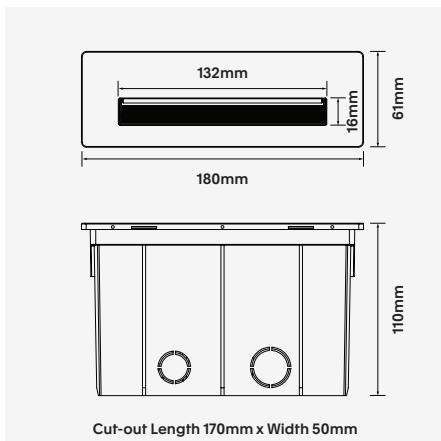
## Vega-WL2

### 7W Asymmetrical Recessed Wall Luminaire



Luminaire Finishes

Black (BK) Silver (SV)



WATTAGE 7W	3-Step	170 x 50	IK 08	CRI (Ra) >80	WARRANTY 5YR
IP 65	VOLTAGE 240VAC	VOLTAGE 24VDC	Asymmetrical 101.5°	Low Glare	Wall mounted

Vega is a part of CoLab's step and pathway luminaires, providing low glare and optimal illumination across a variety of landscape, step and pathway applications. Using a minimal design and an IP65 rating, it is composed from aluminium components, a PC lens and an engineered plastic housing for excellent weather resistance.

Vega provides both 24VDC and 240VAC to suit a varied range of installation types. Optional DALI dimming. Vega-WL series comes with a 5 year warranty.

- Luminaire wattage: 7W (System)
- Luminous flux: 352-365Lm<sup>2</sup>
- Luminaire efficacy: 49.63Lm/W<sup>1</sup>
- Correlated colour temperature: 3000K, 4000K
- Colour rendering index: >80<sup>3</sup>
- Mac-Adams Ellipse: 3-SDCM
- LED brand: Samsung SMD
- Direct light output ratio (LOR): 100%
- Upward light output ratio (ULOR): 0.0%
- Asymmetrical distribution: 101.5°
- Trim Length 180mm x Width 61mm: Cut-out Length 170mm x Width 50mm
- Ingress protection rating: IP65
- Impact protection rating: IK08
- Luminaire finishes: Black, Silver
- Longevity: >50,000 L70 B50
- Driver: 240VAC (Non-dimmable), 24VDC (Non-dimmable) requires remote LED driver
- Dimming: DALI-2 dimming (240VAC)<sup>4</sup>
- Weight: 475g (excluding driver)
- Warranty: 5 years<sup>5</sup>

Model	LED Output <sup>2</sup>	Luminous Flux <sup>2</sup>	System Wattage	CCT	CRI <sup>3</sup>	Distribution
VEGA-WL2-7W-3K-ASY	425Lm	352Lm	7W	3000K	>80	Asymmetrical
VEGA-WL2-7W-4K-ASY	440Lm	365Lm	7W	4000K	>80	Asymmetrical

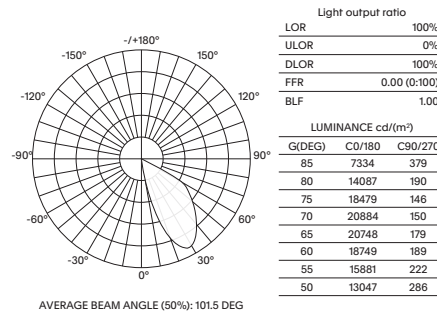
For Non-dimming add suffix ND  
For DALI-2 dimming add suffix D

Example product order code configuration: VEGA-WL2-7W-3K-ASY-ND-(BK)

Model	Wattage	CCT	Distribution	Driver	Luminaire Finish					
VEGA-WL2	+	7W	+	3K	+	ASY	+	ND	+	BK

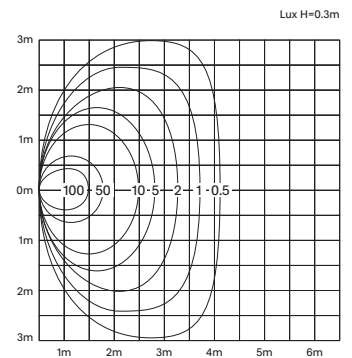
#### Light Distribution

VEGA-WL2-7W-3K



Room Reflectance		Utilisation Factors									
Room	Index	0.80	1.00	1.25	1.50	2.00	2.50	3.00	4.00	5.00	
Ceiling	70	53	64	73	79	87	91	96	100	103	
Walls	50										
Floor	20										

#### Cone Diagram



1 Luminaire efficacy based on CCT 3000K; CCT variations will alter efficacy  
2 +/- 5% stated initial LED and luminous flux tolerance  
3 Colour Rendering Index: >80 Standard (Samsung SMD Series)  
4 Additional charges apply for non-standard colour/s, remote 24VDC drivers and dimming options  
5 Five year manufacturer's warranty covering product defects and performance deficiencies