

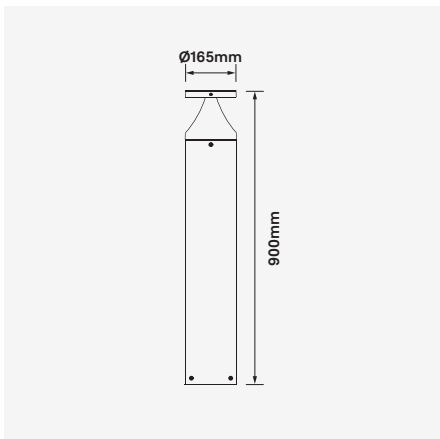
Urban-BL90

12W / 24W Surface Mount Bollard



Luminaire Finishes

Black (BK)



Accessories

URBAN-VISOR
180° Cut-off cover to suit Urban Bollard



URBAN-BL-CAGE
Rag-Bolt assembly to suit Urban Bollard



WATTAGE 12W / 24W

Symmetric

IK10

IP66



WARRANTY 5YR

3-Step

CRI (Ra) >80

Surface

A surface mounted LED architectural bollard featuring an indirect light source for symmetrical low-glare distribution. IP66 and IK10 impact rated, it is suitable for a range of applications including carparks, schools, hospitals and commercial spaces. The Urban-BL is available in two wattages.

Manufactured from extruded 6063T aluminium and polyester powder coated for exceptional durability and superior corrosion resistance with a high impact resistant polycarbonate lens.

Custom colours available on request from leading paint suppliers Dulux and Akzo Nobel. Integrating Samsung SMD technology with a quality LED driver, Urban offers a 5 year warranty.

- Luminaire wattage: 12W, 24W (System)
- Luminous flux: 1260-2160Lm²
- Luminaire efficacy: 90Lm/W¹
- Correlated colour temperature: 3000K, 4000K
- Colour rendering index: >80³
- Mac-Adams Ellipse: 3-SDCM
- LED brand: Samsung SMD LED
- Optical Distribution: Type V, Type IV
- Optical Control: 360°, 180° visor optional
- Outer trim Ø165mm x Height 900mm
- Ingress protection rating: IP66
- Impact protection: IK10
- Luminaire finish: Black
- Longevity: >50,000Hrs L80 B10
- Driver: Integral non-dimmable as standard
- Dimming: DALI-2 on request⁴
- Weight: 7kg (including integral driver)
- Warranty: 5 years⁵

Model	Luminous Flux ²	System Wattage	CCT	CRI ³	Distribution
URBAN-BL90-12W-3K	1071Lm	12W	3000K	>80	Type V, Type IV
URBAN-BL90-12W-4K	1260Lm	12W	4000K	>80	Type V, Type IV
URBAN-BL90-24W-3K	1728Lm	24W	3000K	>80	Type V, Type IV
URBAN-BL90-24W-4K	2160Lm	24W	4000K	>80	Type V, Type IV

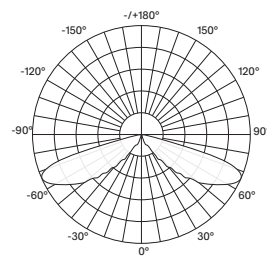
For Non-dimming add suffix ND
For DALI-2 dimming add suffix D

Example product order code configuration: URBAN-BL90-12W-3K-V-(BK)

Model	Wattage	CCT	Distribution	Driver	Luminaire Finish					
URBAN-BL90	+	12W	+	3K	+	V	+	ND	+	BK

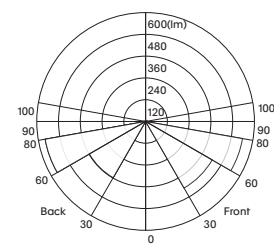
Intensity Distribution Diagram

URBAN-BL90-24W-4K



AVERAGE BEAM ANGLE (50%): 180.0 DEG

Luminaire Classification System (LCS)



1 Luminaire efficacy based on CCT 4000K; CCT variation will alter efficacy
2 +/- 10% stated initial LED and luminous flux tolerance
3 Colour Rendering Index: >80 Standard (Samsung SMD Series)
4 Additional charges apply for non-standard colour/s and dimming options
5 Five year manufacturer's warranty covering product defects and performance deficiencies