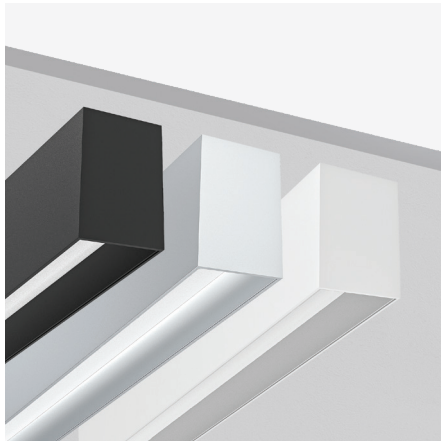
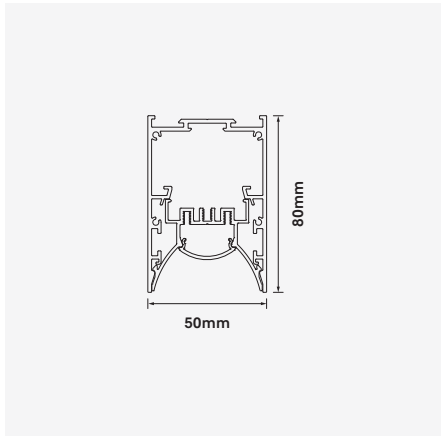


Indigo-50-SM

Surface Mounted Linear LED Profile



Luminaire Finishes



Diffuser options

Opal PC (OP)
Opal Polycarbonate



Asymmetrical (ASYM)



WATTAGE 11W-28W
 CRI (Ra) >85
 IP 44
 Bluetooth

WARRANTY 5YR
3-Step
160°
Surface

The Indigo-50 LED linear lighting system is a versatile set of linear profiles that can be easily configured to suit a range of applications. The system enhances the possibility for engineers, designers and contractors to create different lighting scenarios and environments in a single luminaire design.

Australian manufactured, Indigo-50 is available in either opal diffused cover or high transmittance asymmetrical lens for wall washing purposes and linear illumination of vertical surfaces.

The product can be surface mounted and integrates Vossloh Schwabe LEDs and controls with optional DALI-2 or Bluetooth dimming. The Indigo-50 is backed by a 5 year warranty.

- Luminaire wattage: 11W, 19W, 28W (System 13W, 22W, 32W)
- Luminous flux/m: 1495-1592Lm, 2425-2597Lm, 3332-3551Lm²
- Luminaire efficacy/m: 134.92Lm/W, 131.16Lm/W, 122.45Lm/W¹
- LED working current: 150mA, 250mA, 350mA
- Correlated colour temperature: 3000K, 4000K, 5000K
- Colour rendering index: >85³
- Mac-Adams Ellipse: 3-SDCM
- LED Brand: Vossloh-Schwabe (Nichia SMD)
- LED mounting: Zhaga compliant mounting
- Longevity: >72,000Hrs L80 B10
- Diffuser options: Opal PC, Asymmetrical lens⁴
- Distribution: 160° opal diffuser
- Ingress protection rating: IP44
- Luminaire finish: White, Black, Silver, Custom⁴
- Luminaire dimensions: Width 50mm x Height 80mm x Length custom
- Driver: Non-Dimmable Vossloh-Schwabe LED driver as standard
- Dimming: DALI-2, BLE (basicDIM Wireless / Casambi) on request⁴
- Weight/m: 2.3Kg
- Warranty: 5 years⁵

Model	LED Output/m ²	Luminous Flux/m ²	LED Wattage/m	System Wattage/m	CCT	CRI ³	Distribution	Current
INDIGO-50-SM-11W-3K	2135Lm	1495Lm	11W	13W	3000K	>85	160°	150mA
INDIGO-50-SM-11W-4K	2275Lm	1592Lm	11W	13W	4000K	>85	160°	150mA
INDIGO-50-SM-11W-5K	2275Lm	1592Lm	11W	13W	5000K	>85	160°	150mA
INDIGO-50-SM-19W-3K	3465Lm	2425Lm	19W	22W	3000K	>85	160°	250mA
INDIGO-50-SM-19W-4K	3710Lm	2597Lm	19W	22W	4000K	>85	160°	250mA
INDIGO-50-SM-19W-5K	3710Lm	2597Lm	19W	22W	5000K	>85	160°	250mA
INDIGO-50-SM-28W-3K	4760Lm	3332Lm	28W	32W	3000K	>85	160°	350mA
INDIGO-50-SM-28W-4K	5110Lm	3551Lm	28W	32W	4000K	>85	160°	350mA
INDIGO-50-SM-28W-5K	5110Lm	3551Lm	28W	32W	5000K	>85	160°	350mA

For Non-dimming add suffix ND
For DALI-2 dimming add suffix D
For BLUETOOTH dimming add suffix BT

Example product order code configuration: INDIGO-50-SM-28W-4K-ND-(WH/OP)

Model	Wattage	CCT	Driver	Luminaire Finish / Diffuser
INDIGO-50-SM	28W	4K	ND	WH/OP

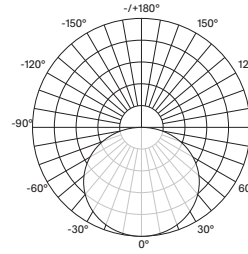
1 Luminaire Efficacy based on CCT 4000K; CCT variation will alter efficacy
 2 +/- 10% stated initial LED and luminous flux tolerance
 3 Colour Rendering Index: >85 standard
 4 Additional charges apply for asymmetrical lens, dimming controls and custom cuts or configurations
 5 Five year manufacturer's warranty covering product defects and performance deficiencies

Indigo-50-SM

Surface Mounted Linear LED Profile

Light Distribution

INDIGO-50-28W-4K



AVERAGE BEAM ANGLE (50%): 57.8 DEG

Light output ratio

LOR	100%
ULOR	0%
DLOR	100%
FFR	0.00 (0:100)
BLF	1.00

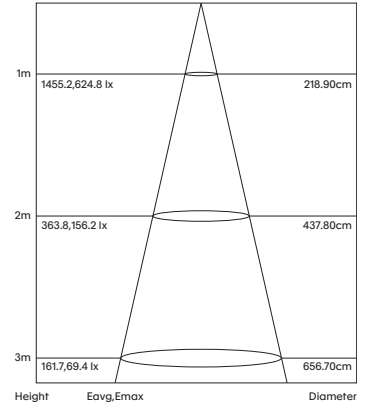
LUMINANCE cd/(m²)

G(DEG)	C0/180	C90/270
85	4448	5537
80	5536	6044
75	5914	6197
70	6201	6302
65	9790	6421
60	14011	8852
55	17445	12721
50	20046	16295
45	22089	19269

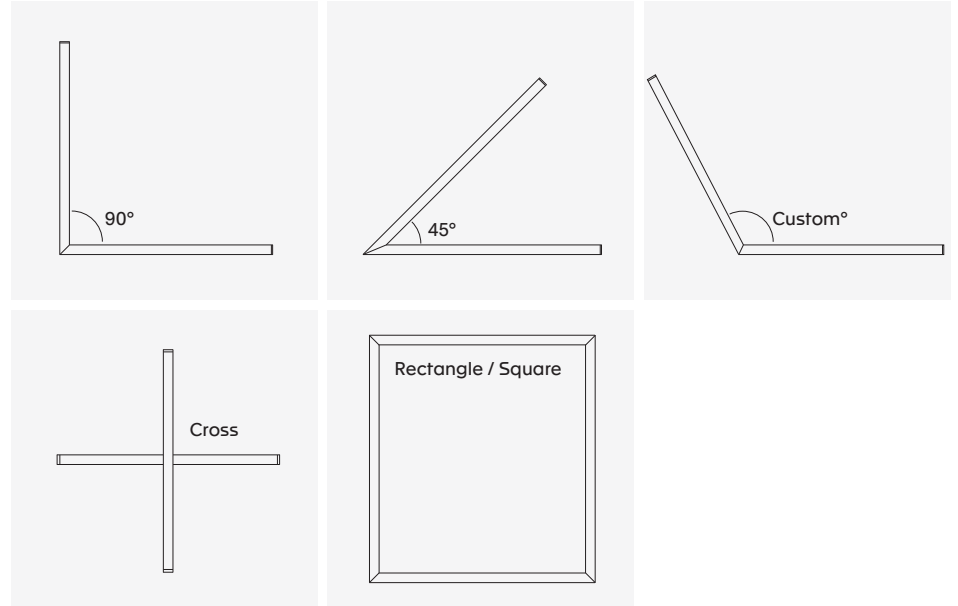
Utilisation Factors

Room Reflectance			Room Index								
Ceiling	Walls	Floor	0.80	1.00	1.25	1.50	2.00	2.50	3.00	4.00	5.00
70	50	20	53	62	70	75	83	88	92	97	100

Cone Diagram



Custom profile configuration⁴



- 1 Luminaire Efficacy based on CCT 4000K; CCT variation will alter efficacy
- 2 +/- 10% stated initial LED and luminous flux tolerance
- 3 Colour Rendering Index: >85 standard
- 4 Additional charges apply for asymmetrical lens, dimming controls and custom cuts or configurations
- 5 Five year manufacturer's warranty covering product defects and performance deficiencies