

## Ario-F205L

### 26W / 38W Fixed LED Recessed Downlight

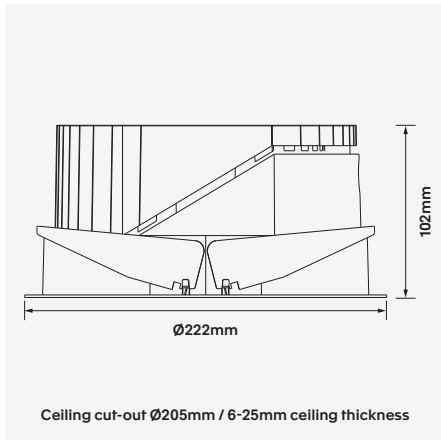


Luminaire Finishes

White (WH)  Black (BK)

Interchangeable Baffle Finishes

White (WH)  Matt (MT)  Specular (SP)



#### Accessories

**ARIO-F205-IP**  
IP65 Protective Cover  
Ø227mm x height 8.5mm



WATTAGE 26W/38W
Ø 205
UGR <19
Bluetooth
Z
CE
WARRANTY 5YR

3-Step
CRI (Ra) >83 / >90
COI ON REQUEST
70°
IK 10
IP 44/65

The Ario LED downlight series offers optimised and efficient performance with symmetrical, low-glare light distribution. The recessed LED architectural luminaire has a shallow depth for low height ceiling voids, IP44 protection (IP65 optional) and optional baffle finishes to suit a multitude of applications.

Available in a range of colour temperatures, wattage/lumen packages, levels of protection, mounting accessories and dimming options. Made with a die-cast aluminium and polyamide housing, high purity aluminium reflector, high-grade polycarbonate secondary baffle optic and precision-formed Degussa diffuser.

Integrating Zhaga compliant Citizen LED technology, coupled with Tridonic LED driver, the Ario-F series comes with a 5 year warranty.

- Luminaire wattage: 26W / 38W (System 28W / 42W)
- Luminous flux: 2500-2700Lm, 3500-3700Lm<sup>2</sup>
- Luminaire efficacy: 86Lm/W, 82Lm/W<sup>1</sup>
- Correlated colour temperature: 3000K, 4000K
- Colour rendering index: >83 standard; >90 and >97-COI on request<sup>3/4</sup>
- Mac-Adams Ellipse: 3-SDCM
- LED brand: Citizen COB LED
- Glare control: UGR<19
- Symmetrical distribution: 70°
- Outer trim Ø222mm; Ceiling cut-out Ø205mm
- Ingress protection rating: IP44 standard (From underside); IP65 cover optional<sup>4</sup>
- Luminaire finishes: White, Black
- Baffle Options: White, Matt, Specular
- Longevity: >50,000Hrs L80 B10
- Driver: Tridonic non-dimmable LED driver as standard
- Dimming: DALI-2, BLE (basicDIM Wireless / Casambi) on request<sup>4</sup>
- Weight: 1.5Kg (excluding driver)
- Warranty: 5 years<sup>5</sup>

Model	LED Output <sup>2</sup>	Luminous Flux <sup>2</sup>	LED Wattage	System Wattage	CCT	CRI <sup>3</sup>	Distribution
ARIO-F205L-26W-3K	3200Lm	2500Lm	26W	28W	3000K	>83	70°
ARIO-F205L-26W-4K	3400Lm	2700Lm	26W	28W	4000K	>83	70°
ARIO-F205L-38W-3K	4300Lm	3500Lm	38W	42W	3000K	>83	70°
ARIO-F205L-38W-4K	4500Lm	3700Lm	38W	42W	4000K	>83	70°

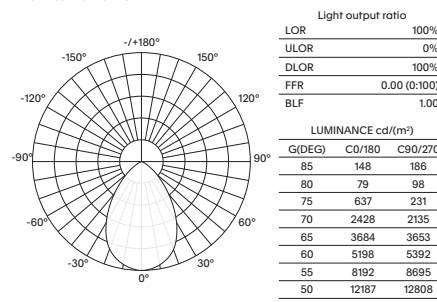
For Non-dimming add suffix ND  
For DALI-2 dimming add suffix D  
For BLUETOOTH dimming add suffix BT

Example product order code configuration: ARIO-F205L-26W-3K-70-D-(WH/SP)

Model	Wattage	CCT	Distribution	Driver	Luminaire Finish / Baffle Finish
ARIO-F205L	26W	3K	70	D	WH/SP

#### Light Distribution

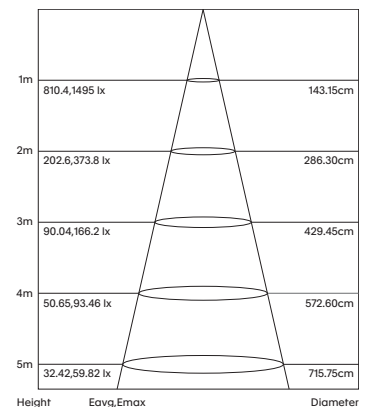
ARIO-F205L-26W-3K-70



AVERAGE BEAM ANGLE (50%): 71.3 DEG

Room Reflectance	Utilisation Factors									
	Ceiling					Room Index				
0.80	1.00	1.25	1.50	2.00	2.50	3.00	4.00	5.00		
70	50	20	76	83	89	93	98	101	103	108

#### Cone Diagram



1 Luminaire efficacy based on CCT 3000K; CCT variation will alter efficacy  
2 +/- 10% stated initial LED and luminous flux tolerance  
3 Colour Rendering Index: >83 Standard, >97/Cyanosis Observation Index (COI) compliance on request; Citizen LED series compliant to AS/NZS 1680.2.5:2018; COI <3.3 & CCT 3300K-5300K  
4 Additional charges apply for non-standard colour/s and dimming options  
5 Five year manufacturer's warranty covering product defects and performance deficiencies