

Momo-SM128

28W Fixed Surface / Suspended Mounted Downlight

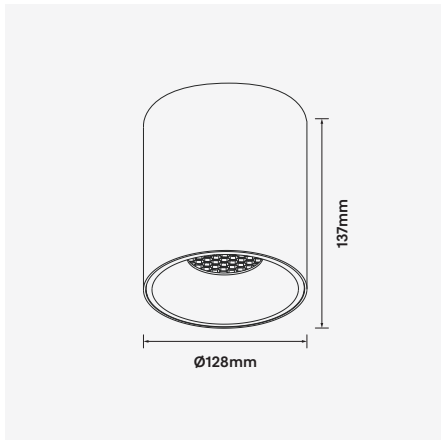


Luminaire Finishes

White (WH) Black (BK) Custom

Interchangeable Baffle Finishes

White (WH) Black (BK) Specular (SP)



Accessories

Wire Suspension Kit (WSUS)

Part No: SUSKIT-3M-SIL
Colour: Silver
Length: 3m Adjustable



Wire Suspension Kit (WSUS)

Part No: SUSKIT-3M-BLK
Colour: Black
Length: 3m Adjustable



Rod Suspension Kit (RSUS)

Part No: ROD-SUS-KIT-1M-WHT
Colour: White
Length: 1m Adjustable



Rod Suspension Kit (RSUS)

Part No: ROD-SUS-KIT-1M-BLK
Colour: Black
Length: 1m Adjustable



WATTAGE 28W	Ø128	UGR <19	Bluetooth	Z	bati	CE	WARRANTY 5YR
3-Step	CRI (Ra) >90	Surface	Suspended	15° / 24° / 38° / 50°	IP 44		

LED surface mounted architectural luminaire series providing symmetrical, low-glare light distribution for a wide range of applications. Featuring a high quality construction, minimal design and unique optical lens the Momo LED surface mounted series offers optimised and efficient performance.

Comes in a white or black surface finish and a range of baffle options to suit different residential and commercial spaces. Featuring a Zhaga compliant COB LED, a wide range of colour temperatures and dimming options from DALI-2 through to Bluetooth, the Momo-SM series comes with a 5 year warranty.

- Luminaire wattage: 28W (System 31W)
- Luminous flux: 2467-2596Lm²
- Luminaire efficacy: 79.58Lm/W¹
- Correlated colour temperature: 3000K, 4000K
- Colour rendering index: >90³
- Mac-Adams Ellipse: 3-SDCM
- LED type: Citizen COB LED
- Glare control: <19 inc. Honeycomb louvre
- Symmetrical distribution: 15°, 24°, 38°, 50°
- Outer trim Ø128mm x Height 137mm
- Ingress protection rating: IP44
- Luminaire finishes: White, Black
- Baffle options: White, Black, Specular
- Longevity: >50,000Hrs L80 B10
- Driver: Tridonic non-dimmable LED driver as standard
- Dimming: DALI-2, BLE (basicDIM Wireless / Casambi) on request⁴
- Weight: 950g (inc. non-dimmable driver)
- Warranty: 5 years⁵

Model	LED Output ²	Luminous Flux ²	LED Wattage	System Wattage	CCT	CRI ³	Distribution
MOMO-SM128-28W-3K	3690Lm	2467Lm	28W	31W	3000K	>90	15°, 24°, 38°, 50°
MOMO-SM128-28W-4K	3840Lm	2596Lm	28W	31W	4000K	>90	15°, 24°, 38°, 50°

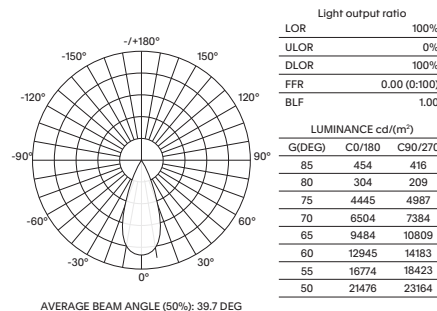
For Non-dimming add suffix ND
For DALI-2 dimming add suffix D
For BLUETOOTH dimming add suffix BT

Example product order code configuration: MOMO-SM128-28W-3K-50-ND-(WH/SP)

Model	Wattage	CCT	Distribution	Driver	Luminaire Finish / Baffle Finish
MOMO-SM128	28W	3K	50	ND	WH/SP

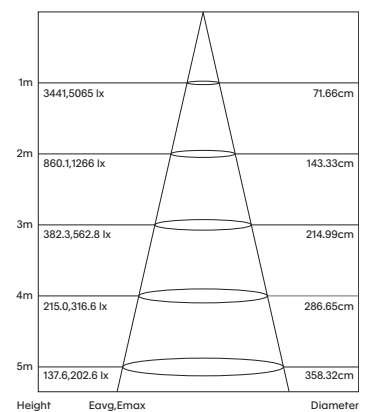
Light Distribution

MOMO-SM128-28W-3K-38



Room Reflectance		Utilisation Factors									
Ceiling	Walls	Floor	0.80	1.00	1.25	1.50	2.00	2.50	3.00	4.00	5.00
70	50	20	66	69	72	74	76	77	78	80	81

Cone Diagram



1 Luminaire efficacy based on CCT 3000K; CCT variation will alter efficacy
2 +/- 10% stated initial LED and luminous flux tolerance
3 Colour Rendering Index: >90 Standard (Citizen COB Series)
4 Charges apply for non-standard colour/s and dimming options. DALI-2 and Bluetooth LED drivers require remote mounting positions
5 Five year manufacturer's warranty covering product defects and performance deficiencies