

Moon-D600

36W / 46W Round Surface Mounted / Suspended Ceiling Luminaire

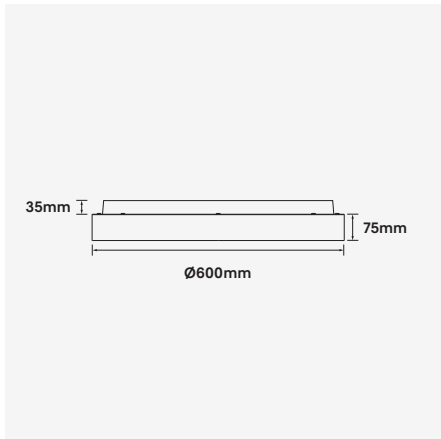


Luminaire Finishes

White (WH) Black (BK)

Baffle Finishes

White (WH) Black (BK) Gold (GD)



Accessories

Wire Suspension Kit (WSUS)

Part No: SUSKIT-3M-SIL
Colour: Silver
Length: 3m Adjustable



Wire Suspension Kit (WSUS)

Part No: SUSKIT-3M-BLK
Colour: Black
Length: 3m Adjustable



Rod Suspension Kit (RSUS)

Part No: ROD-SUS-KIT-1M-WHT
Colour: White
Length: 1m Adjustable



Rod Suspension Kit (RSUS)

Part No: ROD-SUS-KIT-1M-BLK
Colour: Black
Length: 1m Adjustable



WATTAGE 36W / 46W
90°
UGR <19
Bluetooth
Z
BAIT
CE
WARRANTY 5YR

3-Step
CRI (Ra) >80
IP 20
Surface
Suspended

Moon series is a contemporary ceiling light in a simple circular form. Moon's elegant appearance is enhanced by its minimal profile and graceful diffused illumination. Moon is easy to install, has a modular LED engine and micro-prismatic diffuser for a low UGR<19 (Unified Glare Rating).

With an extruded and formed aluminium construction, Moon offers varying wattage/lumen packages and a range of mounting options from surface mounting to wire and rod suspension. Suitable for a range of architectural spaces and applications, the Moon series offers a 5 year warranty.

- Luminaire wattage: 36W / 46W (System 40W / 50W)
- Luminous flux: 4700-5000Lm / 6100-6500Lm²
- Luminaire efficacy: 117.5Lm/W / 122Lm/W¹
- Correlated colour temperature: 3000K, 4000K
- Colour rendering index: >80³
- Mac-Adams Ellipse: 3-SDCM
- LED type: Osram SMD LED
- Glare control: UGR<19 Microprismatic Diffuser
- Symmetrical distribution: 90°
- Outer trim Ø600mm x Height 110mm
- Ingress protection rating: IP20
- Luminaire finishes: White, Black
- Baffle options: White, Black, Gold
- Longevity: >50,000Hrs L80 B10
- Driver: Non-dimmable LED driver as standard
- Dimming: DALI-2, BLE (basicDIM Wireless / Casambi) on request⁴
- Weight: 6.5kg (including driver)
- Warranty: 5 years⁵

Model	LED Output ²	Luminous Flux ²	LED Wattage	System Wattage	CCT	CRI ³	Distribution
MOON-D600-36W-3K	6,200Lm	4,700Lm	36W	40W	3000K	>80	90°
MOON-D600-36W-4K	6,500Lm	5,000Lm	36W	40W	4000K	>80	90°
MOON-D600-46W-3K	8,100Lm	6,100Lm	46W	50W	3000K	>80	90°
MOON-D600-46W-4K	8,500Lm	6,500Lm	46W	50W	4000K	>80	90°

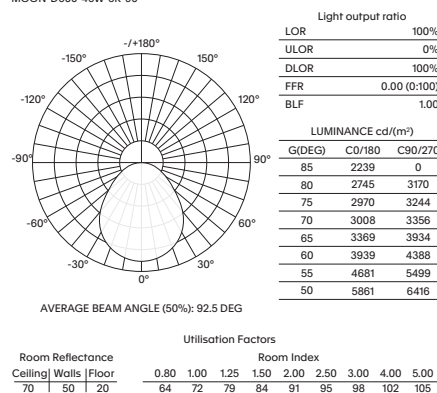
For Non-dimming add suffix ND
For DALI-2 dimming add suffix D
For BLUETOOTH dimming add suffix BT

Example product order code configuration: MOON-D600-36W-3K-90-ND-(WH/GD)

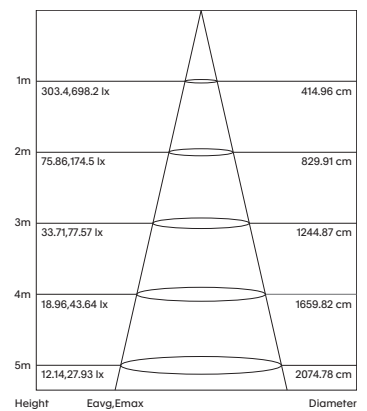
Model	Wattage	CCT	Distribution	Driver	Luminaire Finish / Baffle Finish
MOON-D600	36W	3K	90	ND	WH/GD

Light Distribution

MOON-D600-46W-3K-90



Cone Diagram



1 Luminaire efficacy based on CCT 3000K; CCT variation will alter efficacy
2 +/- 10% stated initial LED and luminous flux tolerance
3 Colour Rendering Index: >80 Standard (Osram SMD Series)
4 Charges apply for non-standard colour/s and dimming options
5 Five year manufacturer's warranty covering product defects and performance deficiencies