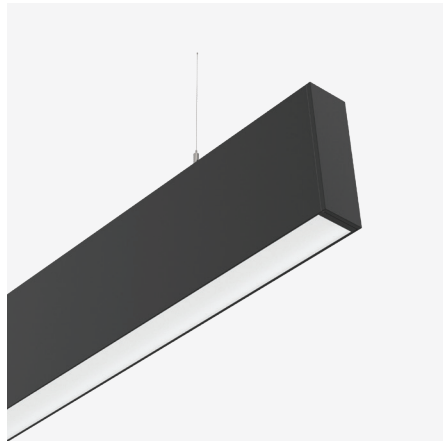


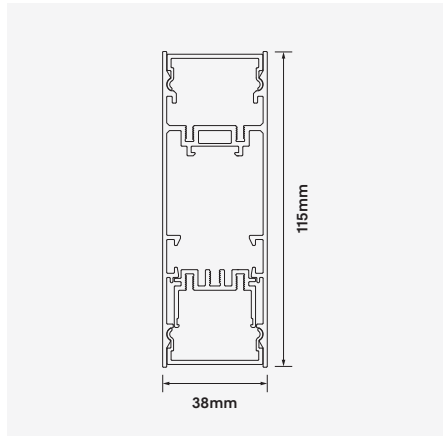
Morph-38-DI

Suspended Mounted Direct / Indirect Linear LED Profile



Luminaire Finishes

- Matt White (WH)
- Matt Black (BK)
- Silver (SV)
- Custom



Diffuser options

Frost PMMA (FR)
Frosted Polymethyl Methacrylate



Accessories

Wire Suspension Kit (WSUS)

Part No: SUSKIT-3M-SIL
Colour: Silver
Length: 3m Adjustable



Wire Suspension Kit (WSUS)

Part No: SUSKIT-3M-BLK
Colour: Black
Length: 3m Adjustable



Rod Suspension Kit (RSUS)

Part No: ROD-SUS-KIT-1M-WHT
Colour: White
Length: 1m Adjustable



Rod Suspension Kit (RSUS)

Part No: ROD-SUS-KIT-1M-BLK
Colour: Black
Length: 1m Adjustable



WATTAGE 22W-56W

CRI (Ra) >85

IP 44

Bluetooth



WARRANTY 5YR

3-Step

DIRECT 110°

INDIRECT 110°

Suspended

Morph-38 LED linear lighting system is a configurable lighting system that uses customisable linear profiles, inserts and accessories to create unique application specific luminaires. The system gives engineers, designers and contractors the ability to create different lighting scenarios and environments in a single luminaire design. It is available as standard in a diffused zero dot LED PMMA diffuser for low visual glare.

The Morph-38 can be suspended to suit almost any application. The Morph-38 integrates Vossloh Schwabe LEDs and controls plus optional DALI-2 or Bluetooth dimming. Systems are backed by a 5 year warranty.

- Luminaire wattage: 11W, 19W, 28W (System 13W, 22W, 32W)
- Luminous flux/m: 1068-1142Lm, 1711-1866Lm, 2348-2539Lm² Direct and Indirect
- Luminaire efficacy/m: 87.85Lm/W, 84.81Lm/W, 79.34Lm/W¹ Direct and Indirect
- LED working current: 150mA, 250mA, 350mA
- Correlated colour temperature: 3000K, 4000K, 5000K
- Colour rendering index: >85³
- Mac-Adams Ellipse: 3-SDCM
- LED Brand: Vossloh-Schwabe (Nichia SMD)
- LED mounting: Zhaga compliant mounting
- Longevity: >72,000Hrs L80 B10
- Diffuser options: Frosted PMMA
- Distribution: 110° (Frost) Direct & Indirect
- Ingress protection rating: IP44
- Luminaire finish: White, Black, Silver, Custom
- Luminaire dimensions: Width 38 x Height 115mm x Length custom
- Driver: Non-Dimmable Vossloh-Schwabe LED driver as standard
- Dimming: DALI-2, BLE (Casambi) on request⁴
- Weight/m: 2.95kg
- Warranty: 5 years⁵

Direct Illumination

Model	LED Output ²	Luminous flux ²	LED Wattage	System Wattage	CCT	CRI ³	Distribution	Current
MORPH-38-DI-X-11W-3K	2135Lm	1068Lm	11W	13W	3000K	>85	110°	150mA
MORPH-38-DI-X-11W-4K	2275Lm	1142Lm	11W	13W	4000K	>85	110°	150mA
MORPH-38-DI-X-11W-5K	2275Lm	1142Lm	11W	13W	5000K	>85	110°	150mA
MORPH-38-DI-X-19W-3K	3465Lm	1711Lm	19W	22W	3000K	>85	110°	250mA
MORPH-38-DI-X-19W-4K	3710Lm	1866Lm	19W	22W	4000K	>85	110°	250mA
MORPH-38-DI-X-19W-5K	3710Lm	1866Lm	19W	22W	5000K	>85	110°	250mA
MORPH-38-DI-X-28W-3K	4760Lm	2348Lm	28W	32W	3000K	>85	110°	350mA
MORPH-38-DI-X-28W-4K	5110Lm	2539Lm	28W	32W	4000K	>85	110°	350mA
MORPH-38-DI-X-28W-5K	5110Lm	2539Lm	28W	32W	5000K	>85	110°	350mA

Indirect Illumination

Model	LED Output ²	Luminous flux ²	LED Wattage	System Wattage	CCT	CRI ³	Distribution	Current
MORPH-38-DI-X-11W-3K	2135Lm	1068Lm	11W	13W	3000K	>85	110°	150mA
MORPH-38-DI-X-11W-4K	2275Lm	1142Lm	11W	13W	4000K	>85	110°	150mA
MORPH-38-DI-X-11W-5K	2275Lm	1142Lm	11W	13W	5000K	>85	110°	150mA
MORPH-38-DI-X-19W-3K	3465Lm	1711Lm	19W	22W	3000K	>85	110°	250mA
MORPH-38-DI-X-19W-4K	3710Lm	1866Lm	19W	22W	4000K	>85	110°	250mA
MORPH-38-DI-X-19W-5K	3710Lm	1866Lm	19W	22W	5000K	>85	110°	250mA
MORPH-38-DI-WM-28W-3K	4760Lm	2348Lm	28W	32W	3000K	>85	110°	350mA
MORPH-38-DI-WM-28W-4K	5110Lm	2539Lm	28W	32W	4000K	>85	110°	350mA
MORPH-38-DI-WM-28W-5K	5110Lm	2539Lm	28W	32W	5000K	>85	110°	350mA

For Non-dimming add suffix ND
For DALI-2 dimming add suffix D
For BLUETOOTH dimming add suffix BT

Replace X with WSUS for wire suspension
Replace X with RSUS for rod suspension

Example product order code configuration: MOPRH-38-DI-WSUS-11W/11W-4K-D-(WH/FR)

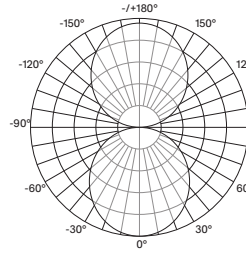
Model	Suspension type	Direct Wattage/m	Indirect Wattage/m	CCT	Driver	Luminaire finish / Diffuser
MORPH-38-DI	+ WSUS	+ 11W	+ 11W	+ 4K	+ D	+ WH/FR

Morph-38-DI

Suspended Mounted Direct / Indirect Linear LED Profile

Light Distribution

MORPH-38-DI-56W-4K



AVERAGE BEAM ANGLE (50%): 78.5 DEG

Light output ratio

LOR	100%
ULOR	0%
DLOR	100%
FFR	0.00 (0:100)
BLF	1.00

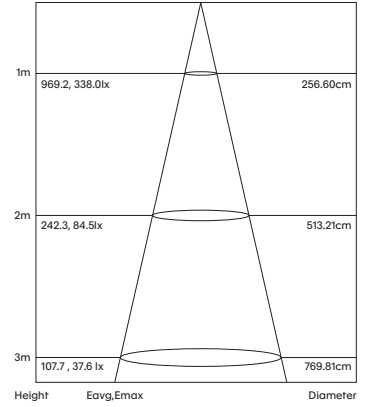
LUMINANCE cd/(m²)

G(DEG)	C0/180	C90/270
85	9016	13550
80	12636	14723
75	14392	16142
70	15742	17518
65	16904	18681
60	18045	19732
55	19072	20711
50	20055	21592
45	21028	22438

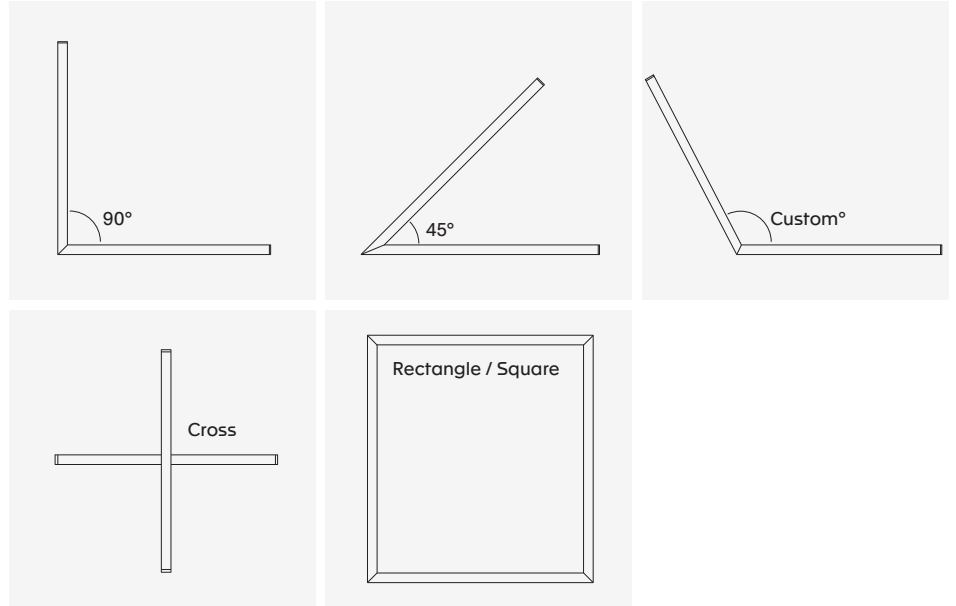
Utilisation Factors

Room Reflectance			Room Index								
Ceiling	Walls	Floor	0.80	1.00	1.25	1.50	2.00	2.50	3.00	4.00	5.00
70	50	20	53	62	70	75	83	88	92	97	100

Cone Diagram



Custom profile configuration⁴



- 1 Luminaire Efficacy based on CCT 4000K; CCT variation will alter efficacy
- 2 +/- 10% stated initial LED and luminous flux tolerance
- 3 Colour Rendering Index: >85 standard
- 4 DALI-2, Bluetooth dimming, custom colours and custom cuts and configurations will incur additional charges
- 5 Five year manufacturer's warranty covering product defects and performance deficiencies