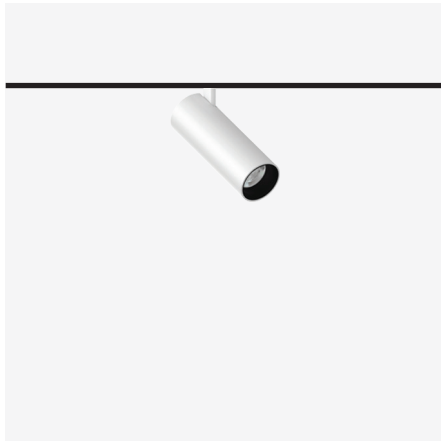


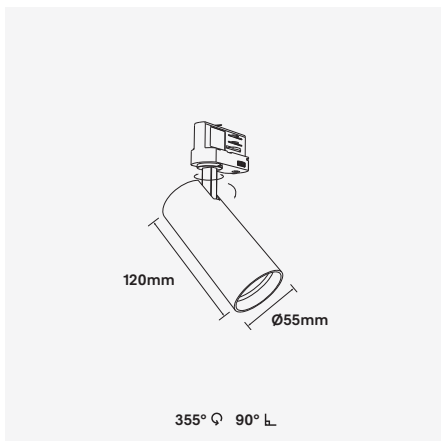
Siena-TR55

13W Single Round LED Track Luminaire



Luminaire Finishes

Black (BK) White/Black (WH/BK)



Accessories

SIENA-HC-D55
Honeycomb mesh



WATTAGE 13W **355° 90°** **3-Step** **Bluetooth** **BAIT** **CE** **WARRANTY 5YR**
VOLTAGE 240VAC **18° / 25° / 36°** **CRI (Ra) >90** **IP 20** **Track** **Z**

LED track mounted architectural luminaire series providing symmetrical, versatile, low-glare light distribution. With a minimal design and high quality componentry in a compact housing, it is available in a range of correlated colour temperatures. Suitable for a range of applications from residential, retail spaces, office and commercial fit-outs.

Siena also offers various dimming options from DALI-2 through to the latest in Bluetooth wireless technology. Die-cast aluminium construction for optimal thermal dissipation and precision formed optics with a range of distributions. Integrating Zhaga compliant Citizen LED technology with industry leading driver technology, Siena offers a 5 year warranty.

- Luminaire wattage: 13W (System 15W)
- Luminous flux: 925-1129Lm²
- Luminaire efficacy: 68Lm/W¹
- Correlated colour temperature: 3000K, 4000K
- Colour rendering index: >90³
- 3-Step-MacAdams Ellipse
- LED Brand: Citizen COB LED
- Optical distribution: 18°, 25°, 36°
- Ø55mm Trim x 120mm Length
- Luminaire finishes: Black, White/Black
- Ingress protection rating: IP20
- Longevity: >50,000Hrs L80 B10
- Requires 3-Circuit track system⁴
- 3-Circuit Track adaptor as standard
- Dimming: DALI-2, BLE (Casambi) on request⁴
- Weight: 460g (excluding driver)
- Warranty: 5 year⁵

Model	LED Output ²	Luminous Flux ²	LED Wattage	System Wattage	CCT	CRI ³	Distribution
SIENA-TR55-13W-3K-18	1300Lm	925Lm	13W	15W	3000K	>90	18°
SIENA-TR55-13W-4K-18	1400Lm	983Lm	13W	15W	4000K	>90	18°
SIENA-TR55-13W-3K-25	1300Lm	930Lm	13W	15W	3000K	>90	25°
SIENA-TR55-13W-4K-25	1400Lm	1027Lm	13W	15W	4000K	>90	25°
SIENA-TR55-13W-3K-36	1300Lm	1020Lm	13W	15W	3000K	>90	36°
SIENA-TR55-13W-4K-36	1400Lm	1129Lm	13W	15W	4000K	>90	36°

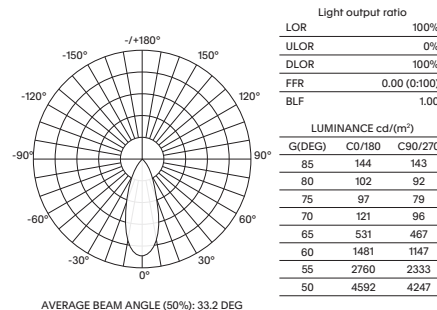
For Non-dimming add suffix ND
For DALI-2 dimming add suffix D
For BLUETOOTH dimming add suffix BT

Example product order code configuration: SIENA-TR55-13W-3K-25-ND-(BK)

Model	Wattage	CCT	Distribution	Driver	Luminaire Finish
SIENA-TR55	13W	3K	25	ND	BK

Light Distribution

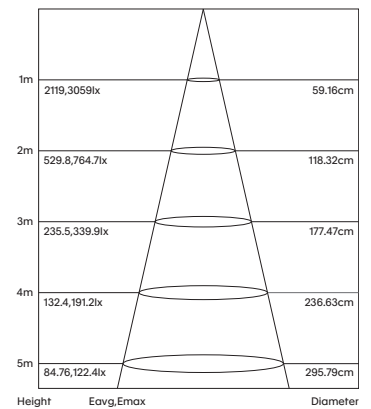
SIENA-TR55-13W-3K-36



Utilisation Factors

Room Reflectance	Room Index									
Ceiling Walls Floor	0.80	1.00	1.25	1.50	2.00	2.50	3.00	4.00	5.00	
70 50 20	91	95	99	102	105	106	108	110	112	

Cone Diagram



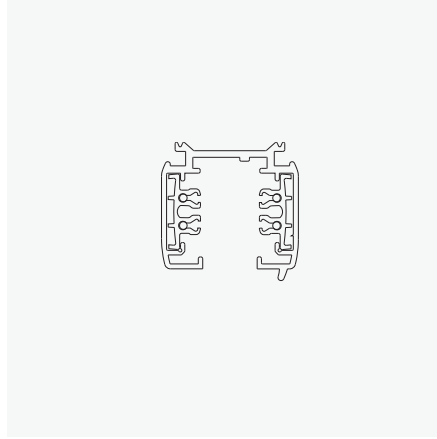
1 Luminaire efficacy based on CCT 3000K; CCT variation will alter efficacy
2 +/- 10% stated initial LED and luminous flux tolerance
3 Colour Rendering Index: >90 Standard (Citizen COB Series)
4 Charges apply for non-standard colour/s, 3-circuit track and dimming options
5 Five year manufacturer's warranty covering product defects and performance deficiencies

Siena-TR55

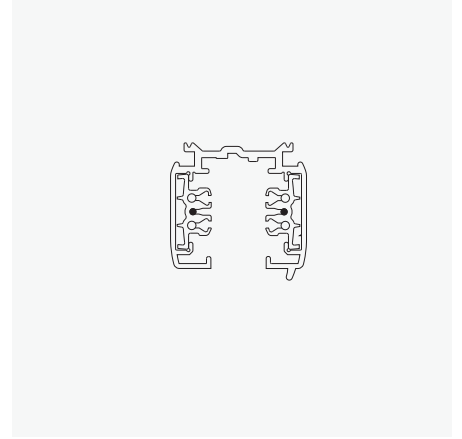
13W Single Round LED Track Luminaire

240VAC TRACK-SYSTEM track options

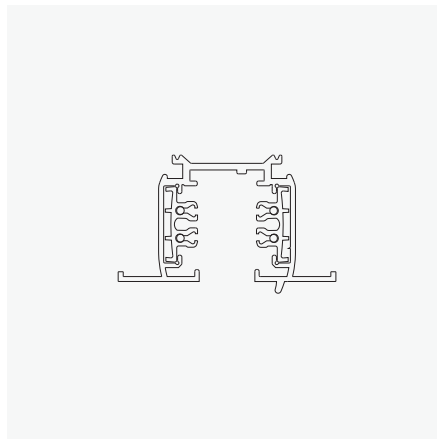
3-Circuit Surface Track
Product No: PRO-TRK-SM-3C
Colour: White, Black, Silver
Size: W35.2 x H32.5mm



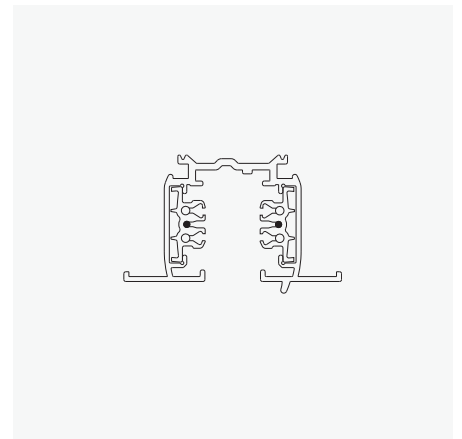
3-Circuit Surface DALI Track
Product No: PRO-TRK-SM-3C-D
Colour: White, Black, Silver
Size: W35.2 x H32.5mm



3-Circuit Recessed Track
Product No: PRO-TRK-REC-3C
Colour: White, Black, Silver
Size: W56 x 35.5mm



3-Circuit Recessed DALI Track
Product No: PRO-TRK-REC-3C-D
Colour: White, Black, Silver
Size: W56 x 35.5mm



- 1 Luminaire efficacy based on CCT 3000K; CCT variation will alter efficacy
- 2 +/- 10% stated initial LED and luminous flux tolerance
- 3 Colour Rendering Index: >90 Standard (Citizen COB Series)
- 4 Charges apply for non-standard colour/s, 3-circuit track and dimming options
- 5 Five year manufacturer's warranty covering product defects and performance deficiencies