

Ario-F205H

38W / 52W Fixed LED Recessed Downlight

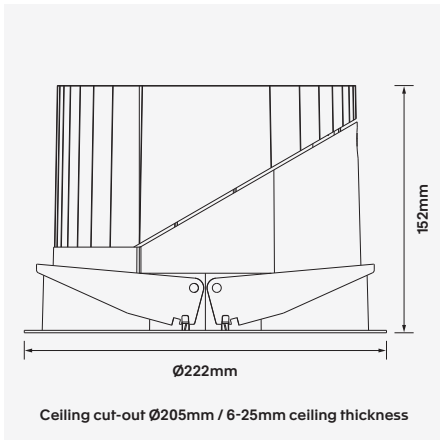


Luminaire Finishes

White (WH) Black (BK)

Interchangeable Baffle Finishes

White (WH) Matt (MT) Specular (SP)



Accessories

ARIO-F205-IP
IP65 Protective Cover
Ø227mm x height 8.5mm



WATTAGE 38W/52W
Ø 205
UGR <19
Bluetooth
Z
CE
WARRANTY 5YR

3-Step
CRI (Ra) >83 / >90
COI ON REQUEST
50°
IK 10
IP 44/65

The Ario LED downlight series offers optimised and efficient performance with symmetrical, low-glare light distribution. The recessed LED architectural luminaire has a shallow depth for low height ceiling voids, IP44 protection (IP65 optional) and optional baffle finishes to suit a multitude of applications.

Available in a range of colour temperatures, wattage/ lumen packages, levels of protection, mounting accessories and dimming options. Made with a die-cast aluminium and polyamide housing, high purity aluminium reflector, high-grade polycarbonate secondary baffle optic and precision-formed Degussa diffuser.

Integrating Zhaga compliant Citizen LED technology, coupled with Tridonic LED driver, the Ario-F series comes with a 5 year warranty.

- Luminaire wattage: 38W / 52W (System 42W / 56W)
- Luminous flux: 3600-3800Lm, 4600-4800Lm²
- Luminaire efficacy: 89Lm/W, 83Lm/W¹
- Correlated colour temperature: 3000K, 4000K
- Colour rendering index: >83 standard; >90 and >97-COI on request^{3/4}
- Mac-Adams Ellipse: 3-SDCM
- LED brand: Citizen COB LED
- Glare control: UGR<19
- Symmetrical distribution: 50°
- Outer trim Ø222mm; Ceiling cut-out Ø205mm
- Ingress protection rating: IP44 standard (From underside); IP65 cover optional⁴
- Luminaire finishes: White, Black
- Baffle Options: White, Matt, Specular
- Longevity: >50,000Hrs L80 B10
- Driver: Tridonic non-dimmable LED driver as standard
- Dimming: DALI-2, BLE (basicDIM Wireless / Casambi) on request⁴
- Weight: 2.3Kg (excluding driver)
- Warranty: 5 years⁵

Model	LED Output ²	Luminous Flux ²	LED Wattage	System Wattage	CCT	CRI ³	Distribution
ARIO-F205H-38W-3K	4500Lm	3600Lm	38W	42W	3000K	>83	50°
ARIO-F205H-38W-4K	4700Lm	3800Lm	38W	42W	4000K	>83	50°
ARIO-F205H-52W-3K	5700Lm	4600Lm	52W	56W	3000K	>83	50°
ARIO-F205H-52W-4K	5900Lm	4800Lm	52W	56W	4000K	>83	50°

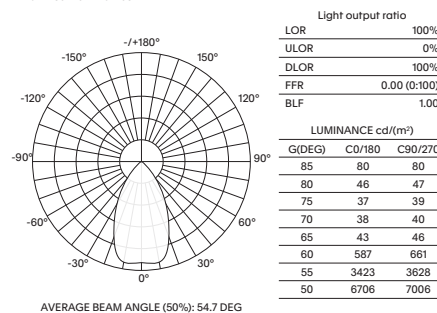
For Non-dimming add suffix ND
For DALI-2 dimming add suffix D
For BLUETOOTH dimming add suffix BT

Example product order code configuration: ARIO-F205H-38W-3K-50-D-(WH/SP)

Model	Wattage	CCT	Distribution	Driver	Luminaire Finish / Baffle Finish
ARIO-F205H	38W	3K	50	D	WH/SP

Light Distribution

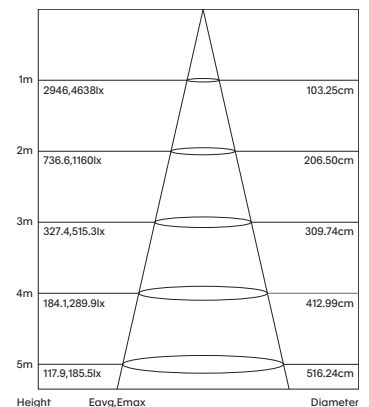
ARIO-F205H-52W-3K-50



Utilisation Factors

Room Reflectance	Room Index									
Ceiling Walls Floor	0.80	1.00	1.25	1.50	2.00	2.50	3.00	4.00	5.00	
70 50 20	88	93	97	100	103	105	107	109	111	

Cone Diagram



1 Luminaire efficacy based on CCT 3000K; CCT variation will alter efficacy
 2 +/- 10% stated initial LED and luminous flux tolerance
 3 Colour Rendering Index: >83 Standard, >97/Cyanosis Observation Index (COI) compliance on request; Citizen LED series compliant to AS/NZS 1680.2.5:2018; COI <3.3 & CCT 3300K-5300K
 4 Additional charges apply for non-standard colour/s and dimming options
 5 Five year manufacturer's warranty covering product defects and performance deficiencies