

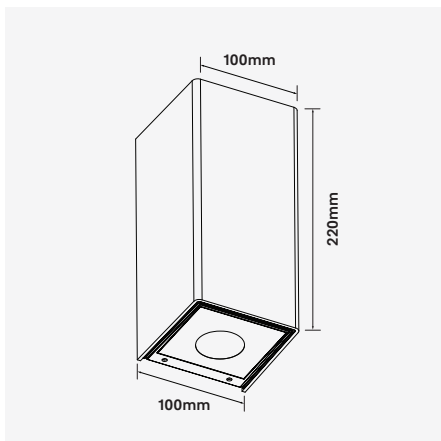
## Zonda-WLS

### 24W / 43W Direct / Indirect Wall Mounted Luminaire



Luminaire Finishes

Black (BK) Silver (SV)



#### Accessories

Anti-Glare Hood  
ZONDA-WLS-HOOD (SSH)  
Silver



Anti-Glare Hood  
ZONDA-WLS-HOOD (SSH)  
Black



WATTAGE 24 W / 43W
IK 07 ↑
IP 65
18° / 24° / 36°
brilliant
CE
WARRANTY 5YR

3-Step
CRI (Ra) >90
VOLTAGE 240VAC
Wall mount

Zonda series is an LED Wall mounted luminaire with dual light emission in a round or square profile. Constructed from die-cast aluminum with an optical grade reflector and tempered glass, the product features a high quality powder coated surface finish to withstand exterior weather conditions.

IK07 impact rated and weatherproof to IP65, Zonda series wall luminaire uses deep optical reflectors to reduce glare and provide better visual comfort. Optional anti-glare guards can also be used with the fitting. Zonda comes as standard in on/off with DALI-2 dimming optional and has a 5 year warranty.

- Luminaire wattage: 24W, 43W (System)
- Luminous flux: 1825-2350Lm, 2930-3090Lm<sup>2</sup>
- Luminaire efficacy: 76Lm/W, 68.14Lm/W<sup>1</sup>
- Correlated colour temperature: 3000K, 4000K
- Colour rendering index: >90<sup>3</sup>
- Mac-Adams Ellipse: 3-SDCM
- LED brand: Bridgelux COB LED
- Glare control: Low glare
- Symmetrical distribution: 18°/18°, 24°/24°, 36°/36°
- Outer trim Width 100mm x Depth 100mm x Length 220mm
- Ingress protection rating: IP65
- Impact protection: IK07
- Luminaire finish: Black, Silver
- Longevity: >50,000Hrs L70 B50
- Driver: Integral non-dimmable standard
- Dimming: Integral DALI-2<sup>4</sup>
- Weight: 1.75kg (Inc. non-dimmable driver)
- Warranty: 5 years<sup>5</sup>

Model	Luminous Flux <sup>2</sup>	System Wattage	CCT	CRI <sup>3</sup>	Distribution
ZONDA-WLS-24W-3K-18	1825Lm	24W	3000K	>90	18° / 18°
ZONDA-WLS-24W-4K-18	2350Lm	24W	4000K	>90	18° / 18°
ZONDA-WLS-24W-3K-24	1825Lm	24W	3000K	>90	24° / 24°
ZONDA-WLS-24W-4K-24	2350Lm	24W	4000K	>90	24° / 24°
ZONDA-WLS-24W-3K-36	1825Lm	24W	3000K	>90	36° / 36°
ZONDA-WLS-24W-4K-36	2350Lm	24W	4000K	>90	36° / 36°
ZONDA-WLS-43W-3K-18	2930Lm	43W	3000K	>90	18° / 18°
ZONDA-WLS-43W-4K-18	3080Lm	43W	4000K	>90	18° / 18°
ZONDA-WLS-43W-3K-24	2930Lm	43W	3000K	>90	24° / 24°
ZONDA-WLS-43W-4K-24	3080Lm	43W	4000K	>90	24° / 24°
ZONDA-WLS-43W-3K-36	2930Lm	43W	3000K	>90	36° / 36°
ZONDA-WLS-43W-4K-36	3080Lm	43W	4000K	>90	36° / 36°

For Non-dimming add suffix ND  
For DALI-2 dimming add suffix D

Example product order code configuration: ZONDA-WLS-43W-4K-36-ND-(BK)

Model	Wattage	CCT	Distribution	Driver	Luminaire Finish					
ZONDA-WLS	+	43W	+	4K	+	36	+	ND	+	BK

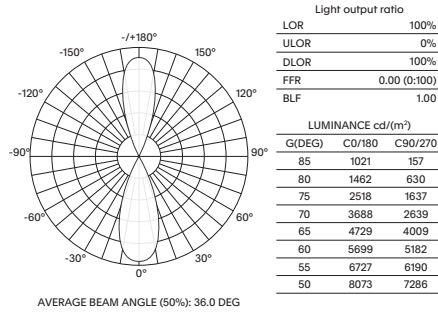
1 Luminaire efficacy based on CCT 3000K; CCT variation will alter efficacy  
2 +/- 5% stated initial LED and luminous flux tolerance  
3 Colour rendering Index: >90 standard (Bridgelux COB LED)  
4 Additional charges apply for non-standard colour/s and dimming options  
5 Five year manufacturer's warranty covering product defects and performance deficiencies

## Zonda-WLS

### 24W / 43W Direct / Indirect Wall Mounted Luminaire

#### Light Distribution

ZONDA-WLS-43W-3K-36



Room Reflectance		Utilisation Factors									
Room Reflectance	Room Index	0.80	1.00	1.25	1.50	2.00	2.50	3.00	4.00	5.00	
Ceiling   Walls   Floor		60	65	70	73	78	81	84	88	90	
70   50   20											

- 1 Luminaire efficacy based on CCT 3000K; CCT variation will alter efficacy
- 2 +/- 5% stated initial LED and luminous flux tolerance
- 3 Colour rendering Index: >90 standard (Bridgelux COB LED)
- 4 Additional charges apply for non-standard colour/s and dimming options
- 5 Five year manufacturer's warranty covering product defects and performance deficiencies