

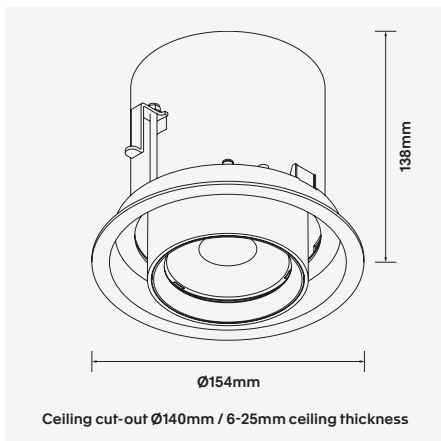
Spy-A140

25W Adjustable LED Recessed Downlight



Luminaire Finishes

White/Black (WH/BK) Black (BK)



WATTAGE 25W
Ø 140
UGR <19
Bluetooth
Z
CE
WARRANTY 5YR

3-Step
CRI (Ra) >90
355° 90°
16° / 21° / 33° / 50°
IP 20

Spy is a recessed luminaire that doubles as an adjustable spot thanks to a special feature that allows the luminaire to be pulled out and adjusted. The downlight turn spotlight provides symmetrical, low-glare light distribution in a minimal design. Die-cast aluminium constructed, it has a high-grade polycarbonate optical lens and is available in a range of surface finishes and colour temperatures to suit a range of applications.

Integrating Zhaga compliant Bridgelux LED technology with class leading LED driver technology, the Spy series comes with a 5 year warranty.

- Luminaire wattage: 25W (System 28W)
- Luminous flux: 2583-2690Lm²
- Luminaire efficacy: 92.25Lm/W¹
- Correlated colour temperature: 3000K, 4000K
- Colour rendering index: >90³
- Mac-Adams Ellipse: 3-SDCM
- LED brand: Bridgelux COB LED
- Glare control: UGR<19
- Symmetrical distribution: 16°, 21°, 33°, 50°
- Outer trim Ø154mm; Ceiling cut-out Ø140mm
- Ingress protection rating: IP20
- Luminaire body finish: White/Black, Black
- Longevity: >50,000hrs L80 B10
- Driver: Tridonic non-dimmable LED driver as standard
- Dimming: DALI-2, BLE (basicDIM Wireless / Casambi) on request⁴
- Weight: 1.2kg (excluding driver)
- Warranty: 5 years⁵

Model	LED Output ²	Luminous Flux ²	LED Wattage	System Wattage	CCT	CRI ³	Distribution
SPY-A140-25W-3K-16	3450Lm	2583Lm	25W	28W	3000K	>90	16°
SPY-A140-25W-4K-16	3575Lm	2690Lm	25W	28W	4000K	>90	16°
SPY-A140-25W-3K-21	3450Lm	2583Lm	25W	28W	3000K	>90	21°
SPY-A140-25W-4K-21	3575Lm	2690Lm	25W	28W	4000K	>90	21°
SPY-A140-25W-3K-33	3450Lm	2583Lm	25W	28W	3000K	>90	33°
SPY-A140-25W-4K-33	3575Lm	2690Lm	25W	28W	4000K	>90	33°
SPY-A140-25W-3K-50	3450Lm	2583Lm	25W	28W	3000K	>90	50°
SPY-A140-25W-4K-50	3575Lm	2690Lm	25W	28W	4000K	>90	50°

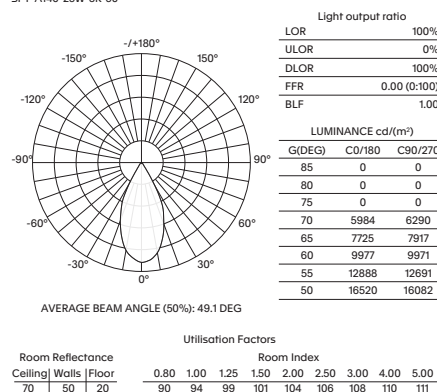
For Non-dimming add suffix ND
For DALI-2 dimming add suffix D
For BLUETOOTH dimming add suffix BT

Example product order code configuration: SPY-A140-25W-4K-50-ND-(BK)

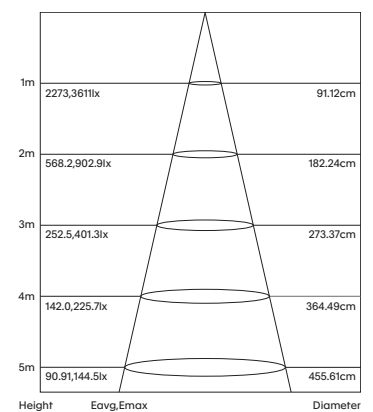
Model	Wattage	CCT	Distribution	Driver	Luminaire Finish					
SPY-A140	+	25W	+	4K	+	50	+	ND	+	BK

Light Distribution

SPY-A140-25W-3K-50



Cone Diagram



1 Luminaire efficacy based on CCT 3000K; CCT variation will alter efficacy
2 +/- 10% stated initial LED and luminous flux tolerance
3 Colour rendering Index: >90 Standard (Bridgelux COB Series)
4 Charges apply for non-standard colour/s and dimming options
5 Five year manufacturer's warranty covering product defects and performance deficiencies