

## Meko-SM95

### 32W Fixed Surface / Suspended Mounted Downlight

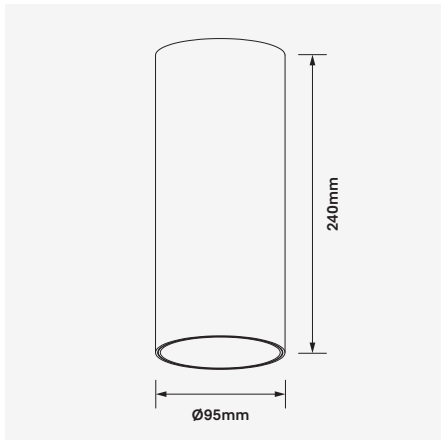


Luminaire Finishes

White (WH)  Black (BK)  Custom

Interchangeable Baffle Finishes

White (WH)  Black (BK)  Gold (GD)



Accessories

#### Wire Suspension Kit (WSUS)

Part No: SUSKIT-3M-SIL  
Colour: Silver  
Length: 3m Adjustable



#### Wire Suspension Kit (WSUS)

Part No: SUSKIT-3M-BLK  
Colour: Black  
Length: 3m Adjustable



#### Rod Suspension Kit (RSUS)

Part No: ROD-SUS-KIT-1M-WHT  
Colour: White  
Length: 1m Adjustable



#### Rod Suspension Kit (RSUS)

Part No: ROD-SUS-KIT-1M-BLK  
Colour: Black  
Length: 1m Adjustable



Surface mounted LED architectural luminaire providing optimised and efficient performance. Features a deep-set light source, symmetrical distribution and IP44 rating. A small, discrete and minimal fitting that's big on performance, it comes surface mounted as standard with an optional wire or rod suspension to suit a range of applications. Features a die-cast aluminium baffle with an aluminium outer body.

Available in a standard matt white or black body with a white, black or gold finished baffle. Custom colours are also available on request. Integrating CREE COB LED technology, a non-dimmable driver as standard with optional DALI-2 or BLE (Bluetooth) dimming, the Meko series comes with a 5 year warranty.

- Luminaire wattage: 32W (System 35W)
- Luminous flux: 3060-3493Lm<sup>2</sup>
- Luminaire efficacy: 88.08Lm/W<sup>1</sup>
- Correlated colour temperature: 3000K, 4000K
- Colour rendering index: >90<sup>3</sup>
- Mac-Adams Ellipse: 3-SDCM
- LED type: Cree COB LED
- Glare control: <19
- Symmetrical distribution: 15°, 25°, 40°
- Outer trim: Ø95mm x Height 240mm
- Ingress protection rating: IP44 (From underside)
- Luminaire finishes: White, Black, Custom<sup>4</sup>
- Baffle options: White, Black, Gold
- Longevity: >50,000Hrs L80 B10
- Driver: Non-dimmable LED driver as standard
- Dimming: DALI-2, BLE (basicDIM Wireless / Casambi) on request<sup>4</sup>
- Weight: 920g (inc. non-dimmable driver)
- Warranty: 5 years<sup>5</sup>

Model	Luminous Flux <sup>2</sup>	LED Wattage	System Wattage	CCT	CRI <sup>3</sup>	Distribution
MEKO-SM95-32W-3K-15	3140Lm	32W	35W	3000K	>90	15°
MEKO-SM95-32W-4K-15	3493Lm	32W	35W	4000K	>90	15°
MEKO-SM95-32W-3K-25	3083Lm	32W	35W	3000K	>90	25°
MEKO-SM95-32W-4K-25	3395Lm	32W	35W	4000K	>90	25°
MEKO-SM95-32W-3K-40	3060Lm	32W	35W	3000K	>90	40°
MEKO-SM95-32W-4K-40	3394Lm	32W	35W	4000K	>90	40°

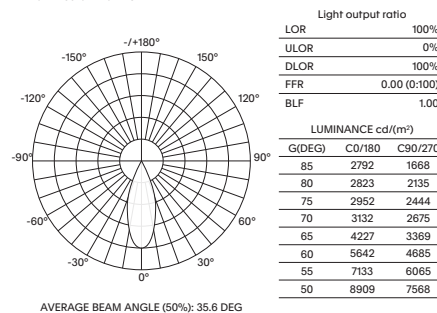
For Non-dimming add suffix ND  
For DALI-2 dimming add suffix D  
For BLUETOOTH dimming add suffix BT

Example product order code configuration: MEKO-SM95-32W-4K-40-ND-(WH/BK)

Model	Wattage	CCT	Distribution	Driver	Luminaire Finish / Baffle Finish					
MEKO-SM95	+	32W	+	4K	+	25	+	ND	+	WH/BK

#### Light Distribution

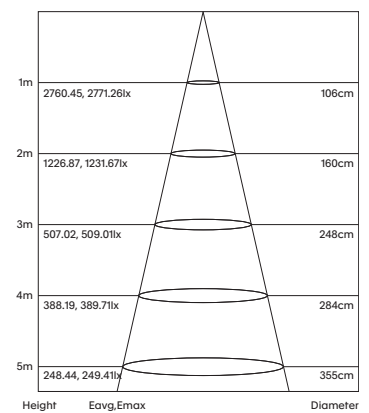
MEKO-SM95-32W-3K-40



Utilisation Factors

Room Reflectance	Room Index									
Ceiling   Walls   Floor	0.80	1.00	1.25	1.50	2.00	2.50	3.00	4.00	5.00	
70   50   20	87	92	96	99	102	104	106	109	110	

#### Cone Diagram



1 Luminaire efficacy based on 3000K; CCT variation will alter efficacy  
2 +/- 10% stated initial LED luminous flux tolerance  
3 Colour Rendering Index: >90 Standard (CREE COB Series)  
4 Charges apply for non-standard colour/s and dimming options  
5 Five year manufacturer's warranty covering product defects and performance deficiencies