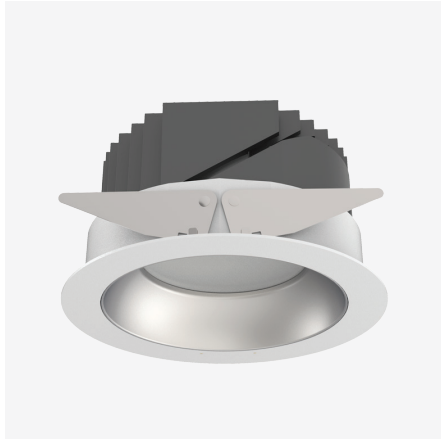


## Ario-F150

### 18W / 26W Fixed LED Recessed Downlight

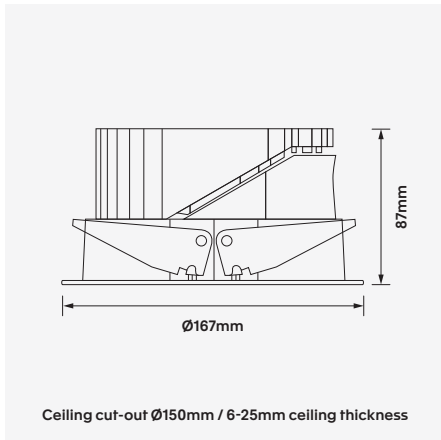


Luminaire Finishes

White (WH)  Black (BK)

Interchangeable Baffle Finishes

White (WH)  Matt (MT)  Specular (SP)



#### Accessories

**ARIO-F150-IP**  
IP65 Protective Cover  
Ø172mm x height 8.5mm



**ARIO-F150-AL**  
IK10 Anti-Ligature Protective Cover  
Ø172mm x height 8.5mm



WATTAGE 18W/26W
Ø 150
UGR <19
Bluetooth
Z
CE
WARRANTY 5YR

3-Step
CRI (Ra) >83 / >90
COI ON REQUEST
60°
IK 10
IP 44/65

The Ario LED downlight series offers optimised and efficient performance with symmetrical, low-glare light distribution. The recessed LED architectural luminaire has a shallow depth for low height ceiling voids, IP44 protection (IP65 optional) and optional baffle finishes to suit a multitude of applications.

Available in a range of colour temperatures, wattage/lumen packages, levels of protection, mounting accessories and dimming options. Made with a die-cast aluminium and polyamide housing, high purity aluminium reflector, high-grade polycarbonate secondary baffle optic and precision-formed Degussa diffuser.

Integrating Zhaga compliant Citizen LED technology, coupled with Tridonic LED driver, the Ario-F series comes with a 5 year warranty.

- Luminaire wattage: 18W / 26W (System 21W / 28W)
- Luminous flux: 1800-1900Lm, 2400-2600Lm<sup>2</sup>
- Luminaire efficacy: 86Lm/W, 86Lm/W<sup>1</sup>
- Correlated colour temperature: 3000K, 4000K
- Colour rendering index: >83 standard; >90 and >97-COI on request<sup>3/4</sup>
- Mac-Adams Ellipse: 3-SDCM
- LED brand: Citizen COB LED
- Glare control: UGR<19
- Symmetrical distribution: 60°
- Outer trim Ø167mm; Ceiling cut-out Ø150mm
- Ingress protection rating: IP44 standard (From underside); IP65 cover optional<sup>4</sup>
- Impact protection: Anti Ligature IK10 cover optional<sup>4</sup>
- Luminaire finishes: White, Black
- Baffle Options: White, Matt, Specular
- Longevity: >50,000Hrs L80 B10
- Driver: Tridonic non-dimmable LED driver as standard
- Dimming: DALI-2, BLE (basicDIM Wireless / Casambi) on request<sup>4</sup>
- Weight: 1.08Kg (excluding driver)
- Warranty: 5 years<sup>5</sup>

Model	LED Output <sup>2</sup>	Luminous Flux <sup>2</sup>	LED Wattage	System Wattage	CCT	CRI <sup>3</sup>	Distribution
ARIO-F150-18W-3K	2200Lm	1800Lm	18W	21W	3000K	>83	60°
ARIO-F150-18W-4K	2400Lm	1900Lm	18W	21W	4000K	>83	60°
ARIO-F150-26W-3K	3000Lm	2400Lm	26W	28W	3000K	>83	60°
ARIO-F150-26W-4K	3200Lm	2600Lm	26W	28W	4000K	>83	60°

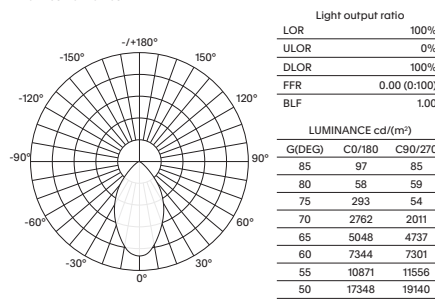
For Non-dimming add suffix ND  
For DALI-2 dimming add suffix D  
For BLUETOOTH dimming add suffix BT

Example product order code configuration: ARIO-F150-26W-3K-60-D-(WH/SP)

Model	Wattage	CCT	Distribution	Driver	Luminaire Finish / Baffle Finish
ARIO-F150	26W	3K	60	D	WH/SP

#### Light Distribution

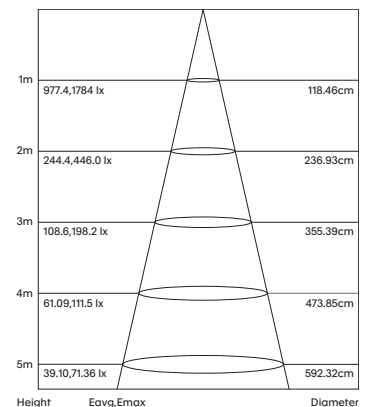
ARIO-F150-26W-3K-60



Utilisation Factors

Room Reflectance	Room Index									
Ceiling   Walls   Floor	0.80	1.00	1.25	1.50	2.00	2.50	3.00	4.00	5.00	
70   50   20	79	85	91	95	99	102	104	107	109	

#### Cone Diagram



1 Luminaire efficacy based on CCT 3000K; CCT variation will alter efficacy  
2 +/- 10% stated initial LED and luminous flux tolerance  
3 Colour Rendering Index: >83 Standard, >97/Cyanosis Observation Index (COI) compliance on request; Citizen LED series compliant to AS/NZS 1680.2.5:2018; COI <3.3 & CCT 3300K-5300K  
4 Additional charges apply for non-standard colour/s and dimming options  
5 Five year manufacturer's warranty covering product defects and performance deficiencies