

Linie-SM15C

30W Fixed Surface Mount Linear Downlight

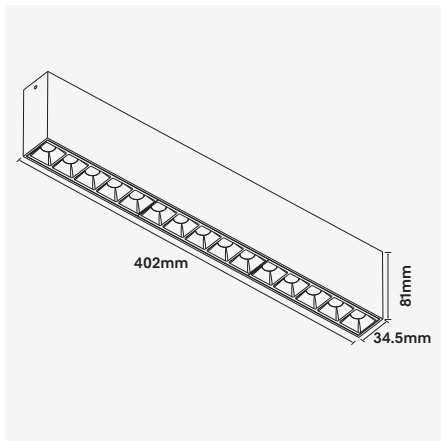


Luminaire Finishes

White (WH) Black (BK)

Interchangeable Baffle Finishes

White (WH) Black (BK) Gold (GD)
 Specular (SP) Rose Gold (RG)



Accessories

LINIE-SM-REC-LENS
Product No: LINIE-REC-LENS
Rectangular Distribution



LINIE-SM-SQR-LENS
Product No: LINIE-SQR-LENS
Square Distribution



WATTAGE 30W
UGR <19
CRI (Ra) >90
Bluetooth
Z
ball
CE
WARRANTY 5YR

3-Step
15° / 30° / 45°
IP 20
Surface

Fixed, surface mounted, LED architectural downlight series provides symmetrical, low-glare light distribution within a compact, linear housing. Available in a variety of baffle finishes to suit different applications and interior spaces.

Comes quality constructed using a die-cast aluminium structure with high grade polycarbonate secondary baffle optics. Integrating Bridgelux LED technology with a quality branded control gear, the Linie series comes with a 5 year warranty.

- Luminaire wattage: 30W (System 32W)
- Luminous flux: 1870-2118Lm²
- Luminaire efficacy: 62.36Lm/W¹
- Correlated colour temperature: 2700K, 3000K, 4000K
- Colour rendering index: >90³
- Mac-Adams Ellipse: 3-SDCM
- LED brand: Bridgelux SMD LED
- Glare control: <19
- Symmetrical distribution: 15°, 30°, 45°
- Square and rectangular optics optional⁴
- Outer trim: Width 34.5mm x Length 402mm x Height 81mm
- Ingress protection rating: IP20
- Luminaire finishes: White, Black
- Baffle options: Black, White, Specular, Gold, Rose Gold
- Longevity: >50,000Hrs L80 B10
- Driver: Non-dimmable as standard
- Dimming: Remote DALI-2, BLE (basicDIM Wireless / Casambi) on request⁴
- Weight: 1070g (inc. non-dimmable driver)
- Warranty: 5 years⁵

Model	LED Output ²	Luminous Flux ²	LED Wattage	System Wattage	CCT	CRI ³	Distribution
LINIE-SM15C-30W-27K	3080Lm	1870Lm	30W	32W	2700K	>90	15°, 30°, 45°
LINIE-SM15C-30W-3K	3136Lm	1871Lm	30W	32W	3000K	>90	15°, 30°, 45°
LINIE-SM15C-30W-4K	3304Lm	2118Lm	30W	32W	4000K	>90	15°, 30°, 45°

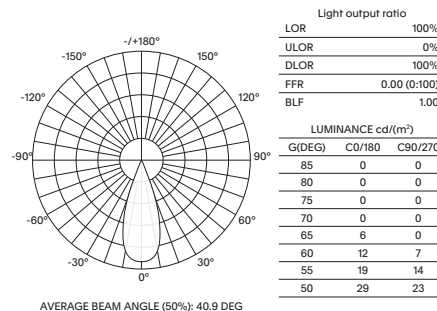
For Non-dimming add suffix ND
For DALI-2 dimming add suffix D
For BLUETOOTH dimming add suffix BT

Example product order code configuration: LINIE-SM15C-30W-3K-45-ND-(WH/BK)

Model	Wattage	CCT	Distribution	Driver	Luminaire Finish / Baffle Finish
LINIE-SM15C	30W	3K	45	ND	WH/BK

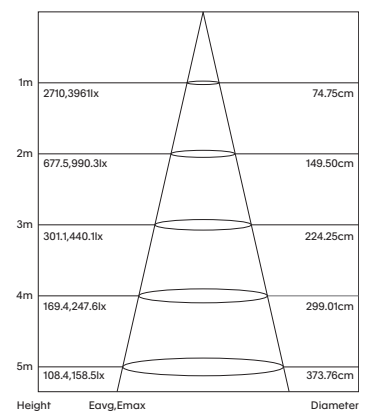
Light Distribution

LINIE-SM15C-30W-3K-45



Room Reflectance		Utilisation Factors										
Ceiling	Walls	Floor	0.80	1.00	1.25	1.50	2.00	2.50	3.00	4.00	5.00	
70	50	20	92	96	100	102	105	106	108	110	112	

Cone Diagram



1 Luminaire efficacy based on CCT 3000K; CCT variation will alter efficacy
2 +/- 10% stated initial LED and luminous flux tolerance
3 Colour Rendering Index: >90 Standard (Bridgelux SMD Series)
4 Charges apply for non-standard colour/s and dimming options
5 Five year manufacturer's warranty covering product defects and performance deficiencies