

## Spy-A55

### 6W Adjustable LED Recessed Downlight

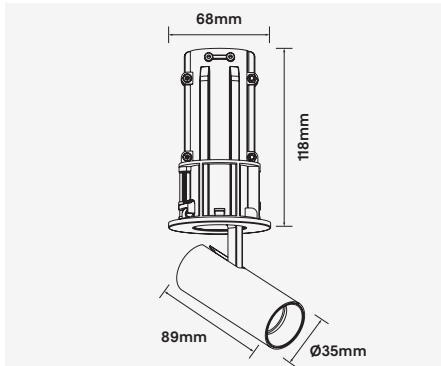


#### Frame Finishes

White (WH)  Black (BK)

#### Body Finishes

White (WH)  Black (BK)  Chrome (CH)



Ceiling cut-out Ø55mm / 6-25mm ceiling thickness

WATTAGE 6W

Ø 55

UGR <19

Bluetooth

Z

BTLT

CE

WARRANTY 5YR

3-Step

CRI (Ra) >90

355° 90°

21° / 27° / 37°

IP 20

Spy is a recessed luminaire that doubles as an adjustable spot thanks to a special feature that allows the luminaire to be pulled out and adjusted. The downlight turn spotlight provides symmetrical, low-glare light distribution in a minimal design. Die-cast aluminium constructed, it has a high-grade polycarbonate optical lens and is available in a range of surface finishes and colour temperatures to suit a range of applications.

Integrating Zhaga compliant Bridgelux LED technology with class leading LED driver technology, the Spy series comes with a 5 year warranty.

- Luminaire wattage: 6W (System 8W)
- Luminous flux: 604-640Lm<sup>2</sup>
- Luminaire efficacy: 75.50Lm/W<sup>1</sup>
- Correlated colour temperature: 3000K, 4000K
- Colour rendering index: >90<sup>3</sup>
- Mac-Adams Ellipse: 3-SDCM
- LED brand: Bridgelux COB LED
- Glare control: UGR<19
- Symmetrical distribution: 21°, 27°, 37°
- Outer trim Ø68mm; Ceiling cut-out Ø55mm
- Ingress protection rating: IP20
- Frame finish: White, Black
- Body finish: White, Black, Chrome
- Longevity: >50,000hrs L80 B10
- Driver: Tridonic non-dimmable LED driver as standard
- Dimming: DALI-2, BLE (basicDIM Wireless / Casambi) on request<sup>4</sup>
- Weight: 150g (excluding driver)
- Warranty: 5 years<sup>5</sup>

Model	LED Output <sup>2</sup>	Luminous Flux <sup>2</sup>	LED Wattage	System Wattage	CCT	CRI <sup>3</sup>	Distribution
SPY-A55-6W-3K-21	840Lm	604Lm	6W	8W	3000K	>90	21°
SPY-A55-6W-4K-21	880Lm	640Lm	6W	8W	4000K	>90	21°
SPY-A55-6W-3K-27	840Lm	604Lm	6W	8W	3000K	>90	27°
SPY-A55-6W-4K-27	880Lm	640Lm	6W	8W	4000K	>90	27°
SPY-A55-6W-3K-37	840Lm	604Lm	6W	8W	3000K	>90	37°
SPY-A55-6W-4K-37	880Lm	640Lm	6W	8W	4000K	>90	37°

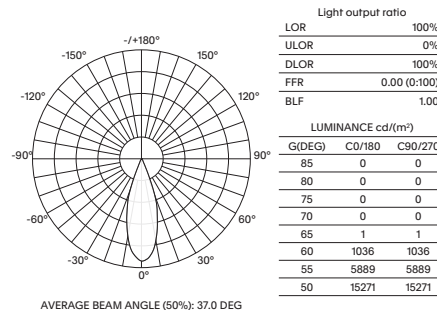
For Non-dimming add suffix ND  
For DALI-2 dimming add suffix D  
For BLUETOOTH dimming add suffix BT

Example product order code configuration: SPY-A55-6W-3K-37-ND-(WH/CH)

Model	Wattage	CCT	Distribution	Driver	Frame Finish / Body Finish					
SPY-A55	+	6W	+	3K	+	37	+	ND	+	WH/CH

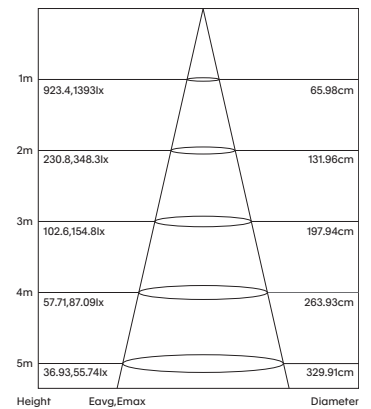
#### Light Distribution

SPY-A55-6W-3K-37



Room Reflectance		Utilisation Factors									
Ceiling	Walls / Floor	Room Index									
70	50   20	0.80	1.00	1.25	1.50	2.00	2.50	3.00	4.00	5.00	
		91	95	99	102	105	106	108	110	112	

#### Cone Diagram



1 Luminaire efficacy based on CCT 3000K; CCT variation will alter efficacy  
 2 +/- 10% stated initial LED and luminous flux tolerance  
 3 Colour rendering Index: >90 Standard (Bridgelux COB Series)  
 4 Charges apply for non-standard colour/s and dimming options  
 5 Five year manufacturer's warranty covering product defects and performance deficiencies