

## Warp-SM80

### 15W Adjustable Surface Mount Downlight

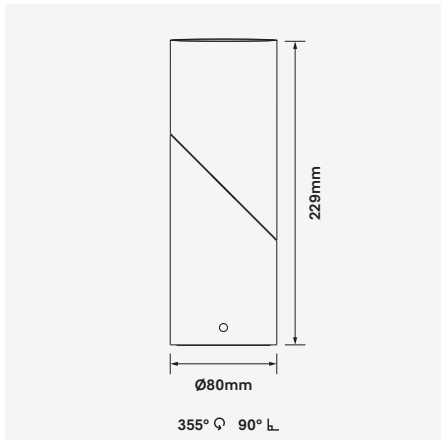


Luminaire Finishes

White (WH)  Black (BK)

Baffle Finish

Black (BK)



WATTAGE 15W
CRI (Ra) >90
UGR <19
Bluetooth
Z
BAIT
CE
WARRANTY 5YR

3-Step
29° / 37°
355° 90°
IP 20
Surface

Surface mounted adjustable LED architectural luminaire that can be rotated 355° and tilted up to 90° to provide flexibility and versatility in a range of applications. With a deep-set light source and symmetrical distribution the Warp is small, discrete and minimal by design.

With a die-cast aluminium construction it is available in standard matte white and solid black surface finishes with a black internal baffle. The Warp-SM80 integrates Citizen COB LED technology and a non-dimmable driver as standard with optional DALI-2 or Bluetooth dimming. The Warp series offers a 5 year warranty.

- Luminaire wattage: 15W (System 18W)
- Luminous flux: 972.78-1119Lm<sup>2</sup>
- Luminaire efficacy: 57.15Lm/W<sup>1</sup>
- Correlated colour temperature: 2700K, 3000K, 4000K
- Colour rendering index: >90<sup>3</sup>
- Mac-Adams Ellipse: 3-SDCM
- LED type: COB LED
- Glare control: <19
- Symmetrical distribution: 29°, 37°
- Outer trim: Ø80mm x Height 229mm
- Ingress protection rating: IP20
- Luminaire finishes: White, Black
- Baffle options: Black
- Longevity: >50,000Hrs L80 B10
- Driver: Non-dimmable as standard
- Dimming: Remote DALI-2, BLE (basicDIM Wireless / Casambi) on request<sup>4</sup>
- Weight: 980g (inc. non-dimmable driver)
- Warranty: 5 years<sup>5</sup>

Model	LED Output <sup>2</sup>	Luminous Flux <sup>2</sup>	LED Wattage	System Wattage	CCT	CRI <sup>3</sup>	Distribution
WARP-SM80-15W-27K	1635Lm	973Lm	15W	18W	2700K	>90	29°, 37°
WARP-SM80-15W-3K	1758Lm	1046Lm	15W	18W	3000K	>90	29°, 37°
WARP-SM80-15W-4K	1881Lm	1119Lm	15W	18W	4000K	>90	29°, 37°

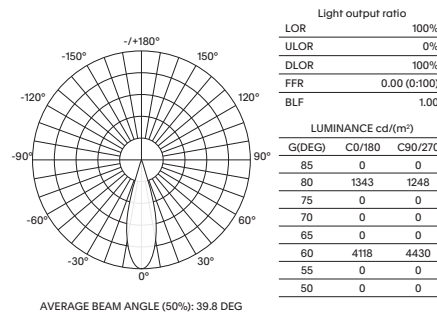
For Non-dimming add suffix ND  
For DALI-2 dimming add suffix D  
For BLUETOOTH dimming add suffix BT

Example product order code configuration: WARP-SM80-15W-3K-37-ND-(WH/BK)

Model	Wattage	CCT	Distribution	Driver	Luminaire Finish / Baffle Finish					
WRAP-SM80	+	15W	+	3K	+	37	+	ND	+	WH/BK

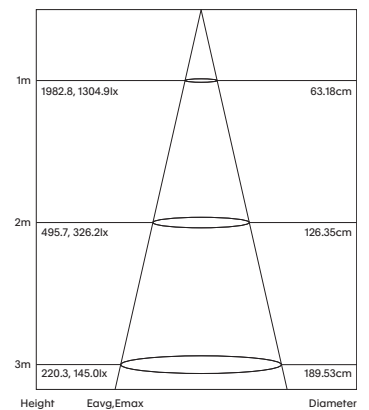
#### Light Distribution

WARP-SM80-15W-3K-37



Utilisation Factors		Room Index											
Room Reflectance		1.00	2.00	3.00	4.00	5.00	6.00	7.00	8.00	9.00			
Ceiling	Walls	70	50	20	1.07	0.99	0.91	0.84	0.78	0.73	0.68	0.63	0.59

#### Cone Diagram



- 1 Luminaire efficacy based on 3000K; CCT variation will alter efficacy
- 2 +/- 10% stated initial LED luminous flux tolerance
- 3 Colour rendering Index: >90 standard
- 4 Additional charges apply for non-standard colour/s and dimming options. DALI and Bluetooth dimming LED drivers are required to be mounted remotely to the luminaire
- 5 Five year manufacturer's warranty covering product defects and performance deficiencies