

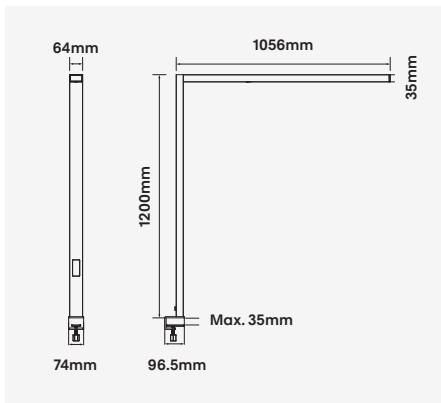
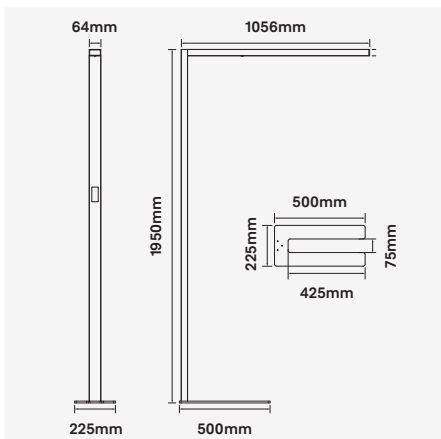
Lexi-FL

↓ 25W / ↑ 55W Architectural
Direct / Indirect Floor Luminaire



Luminaire Finishes

White (WH) Black (BK) Silver (SV)



Accessories

TL-A
Through table mounting



TL-B
G-Clamp table mounting



WATTAGE 80W
3-Step
CRI (Ra) >80
IP 20
UGR <6
BAKT
CE
WARRANTY 5YR

VOLTAGE 240VAC
50° DIRECT, 140° INDIRECT
Sensor
Touch

Lexi is part of a series of well designed free standing luminaires. Functional and minimal by design, Lexi is an elegant lighting solution for any open plan work area, work station or office desk. Designed for both direct and indirect illumination, the user has the ability to individually control the luminaire from switching the fitting on or off to adjust the intensity and in specific versions changing the correlated colour temperature to suit the working conditions and environment.

With a 50° direct and 110° diffused indirect light source with collocated micro reflectors for the ultimate in anti-glare, Lexi has a UGR (Unified Glare Rating) as low as <6. Further energy savings can be achieved using a built-in occupancy sensor which monitors the space and dims the fitting when no movement is detected. Lexi offers both DALI and Bluetooth dimming and comes with a 5 year warranty.

- Luminaire wattage: 25W (Direct), 55W (Indirect)
- Luminous flux: 2500Lm (Direct), 5500Lm (Indirect)²
- Luminaire efficacy: 100Lm/W¹
- Correlated colour temperature: 3000K-5700K (Tunable)
- Colour rendering index: >80³
- Mac-Adams Ellipse: 3-SDCM
- LED brand: Samsung SMD LED
- Glare control: UGR<6
- Symmetrical distribution: 50° (Direct), 110° (Indirect)
- Luminaire Width 64mm x Length 1056mm x Height 1950mm
- Installation: Free standing; Desk mnt. optional
- Ingress protection rating: IP20
- Luminaire finishes: White, Black, Silver
- Longevity: >50,000Hrs L80 B10
- Dimming/CCT: Touch panel standard
- Optional: DALI-2, BLE (Casambi) on request⁴
- Sensor: Integral Daylight and motion sensing⁴
- Weight: 11.6Kg (Floor mnt.), 4.5Kg (Desk mnt.)
- Warranty: 5 years⁵

Model	Luminous Flux ²	System Wattage	CCT	CRI ³	Distribution
LEXI-FL-80W	2500Lm (Dir.), 5500Lm (Ind.)	25W (Dir.), 55W (Ind.)	3000K-5700K	>80	50° (Dir.), 110° (Ind.)

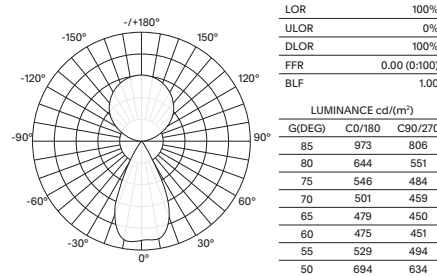
For Touch dimming / CCT adj. add suffix TCH
For DALI-2 dimming add suffix D
For BLUEOOTH dimming add suffix BT

Example product order code configuration: LEXI-FL-80W-TW-50/110-TCH-(WH)

Model	Wattage	CCT	Distribution	Dimming	Luminaire Finish
LEXI-FL	+ 80W	+ TW	+ 50/110	+ TCH	+ WH

Light Distribution

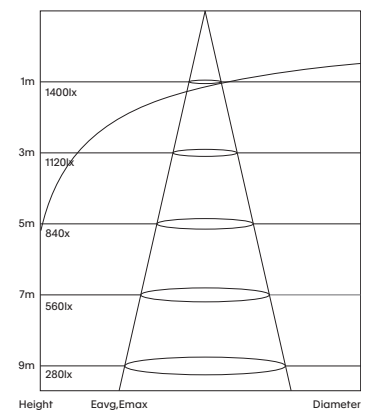
LEXI-FL-80W-4K



AVERAGE BEAM ANGLE (50%): 360.0 DEG

Room Reflectance		Utilisation Factors									
Ceiling	Walls	Floor	Room Index								
0.80	1.00	20	42	48	53	57	63	68	71	75	78

Cone Diagram



1 Luminaire efficacy based on CCT 4000K; CCT variation will alter efficacy
2 +/- 10% stated initial LED and luminous flux tolerance
3 Colour Rendering Index: >80+ standard (Samsung SMD Series)
4 Additional charges apply for non-standard colour/s and dimming options
If DALI-2 dimming or CASAMBI dimming is selected the Daylight sensor and Motion sensor option is no longer available
5 Five year manufacturer's warranty covering product defects and performance deficiencies