

Linie-F1C

2W Fixed Linear Recessed Downlight

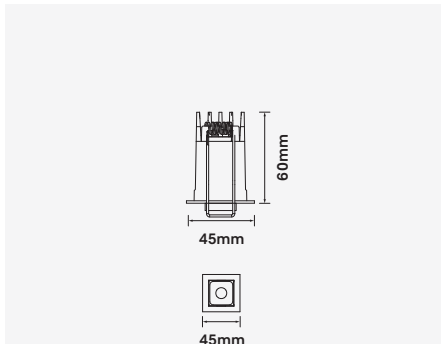


Luminaire Finishes

- White (WH) Black (BK)

Interchangeable Baffle Finishes

- White (WH) Black (BK) Gold (GD)
 Silver (SV)



Ceiling cut-out W37 x L37mm / 6-25mm ceiling thickness

WATTAGE 2W
UGR <19
CRI (Ra) >90
Bluetooth
Z
BAIT
CE
WARRANTY 5YR

3-Step
24° / 40°
37 x 37
IP 44
Recessed

Fixed recessed LED architectural downlight series provides symmetrical, low-glare light distribution within a compact, linear housing. Available in multiple baffle finished to suit a wide variety of applications. Minimal trim for a seamless look.

Comes quality constructed using a die-cast aluminium structure with high grade polycarbonate secondary baffle optics. Integrating OSRAM LED technology with industry leading control gear, the Linie series comes with a 5 year warranty.

- Luminaire wattage: 2W (System 3W)
- Luminous flux: 150-160Lm²
- Luminaire efficacy: 50Lm/W¹
- Correlated colour temperature: 3000K, 4000K
- Colour rendering index: >90³
- Mac-Adams Ellipse: 3-SDCM
- LED brand: Osram SMD LED
- Glare control: <19
- Symmetrical distribution: 24°, 40°
- Outer trim: Width 45mm x Length 45mm
- Ceiling cut-out Width 37mm x Length 37mm
- Ingress protection rating: IP44
- Luminaire finishes: White, Black
- Baffle options: White, Black, Gold, Silver⁴
- Longevity: >50,000Hrs L80 B10
- Driver: Non-dimmable LED driver as standard
- Dimming: DALI-2, BLE (basicDIM Wireless / Casambi) on request⁴
- Weight: 85g (inc. non-dimmable driver)
- Warranty: 5 years⁵

Model	LED Output ²	Luminous Flux ²	LED Wattage	System Wattage	CCT	CRI ³	Distribution
LINIE-F1C-2W-3K-24	210Lm	150Lm	2W	3W	3000K	>90	24°
LINIE-F1C-2W-4K-24	230Lm	160Lm	2W	3W	4000K	>90	24°
LINIE-F1C-2W-3K-40	210Lm	150Lm	2W	3W	3000K	>90	40°
LINIE-F1C-2W-4K-40	230Lm	160Lm	2W	3W	4000K	>90	40°

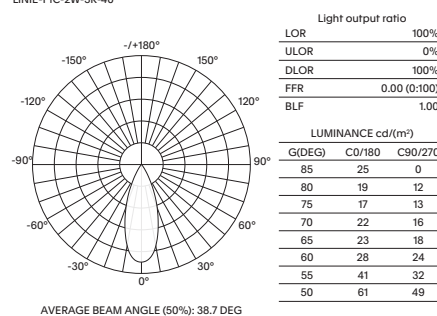
For Non-dimming add suffix ND
For DALI-2 dimming add suffix D
For BLUETOOTH dimming add suffix BT

Example product order code configuration: LINIE-F1C-2W-3K-40-ND-(WH/BK)

Model	Wattage	CCT	Distribution	Driver	Luminaire Finish / Baffle Finish					
LINIE-F1C	+	2W	+	3K	+	40	+	ND	+	WH/BK

Light Distribution

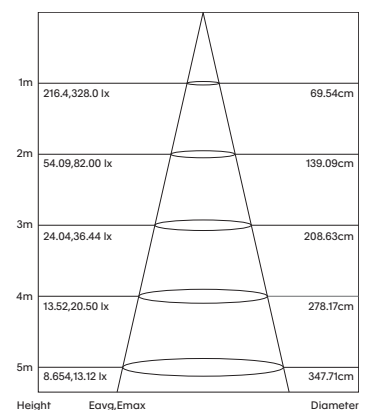
LINIE-F1C-2W-3K-40



Utilisation Factors

Room Reflectance	Room Index										
Ceiling Walls Floor	0.80	1.00	1.25	1.50	2.00	2.50	3.00	4.00	5.00		
70 50 20	93	97	100	103	105	107	108	110	112		

Cone Diagram



1 Luminaire efficacy based on CCT 3000K; CCT variation will alter efficacy
2 +/- 10% stated initial LED and luminous flux tolerance
3 Colour Rendering Index; >90 Standard (Osram SMD series)
4 Charges apply for non-standard colour/s and dimming options
5 Five year manufacturer's warranty covering product defects and performance deficiencies