

## Index-SM140

### 10W~36W Fixed IP Rated Surface / Suspended Mount Downlight

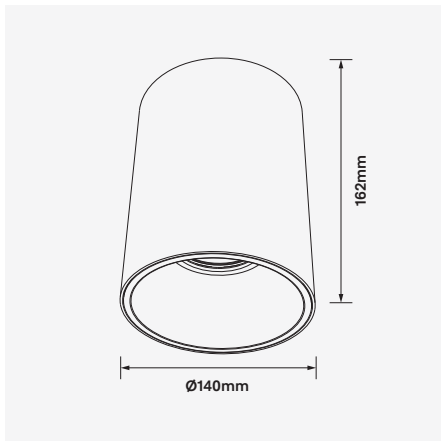


Luminaire Finishes

White (WH)  Black (BK)

Interchangeable Baffle Finishes

White (WH)  Black (BK)  Gold (GD)  
 Specular (SP)  Bronze (BZ)



#### Accessories

##### Wire Suspension Kit (WSUS)

Part No: SUSKIT-3M-SIL  
Colour: Silver  
Length: 3m Adjustable



##### Wire Suspension Kit (WSUS)

Part No: SUSKIT-3M-BLK  
Colour: Black  
Length: 3m Adjustable



##### Rod Suspension Kit (RSUS)

Part No: ROD-SUS-KIT-1M-WHT  
Colour: White  
Length: 1m Adjustable



##### Rod Suspension Kit (RSUS)

Part No: ROD-SUS-KIT-1M-BLK  
Colour: Black  
Length: 1m Adjustable



WATTAGE 10W~36W
CRI (Ra) >90
Bluetooth
Z
bati
CE
WARRANTY 5YR

3-Step
UGR <19
20° / 40°
IP 65
Surface
Suspended

Surface mounted architectural luminaire providing optimised and symmetrical performance with a IP65 rating. Index comes with a wide selection of deep-set baffle options providing visual interest and low-glare illumination. Suspension options are also available.

Quality aluminium construction and incorporating premium components such as Citizen LED technology and Tridonic LED driver. Index-SM series is covered by a 5 year warranty.

- Luminaire wattage: 10W~36W (System 12W~40W)
- Luminous flux: 854-900Lm, 1290-1350Lm, 1688-1787Lm, 2200-2233Lm, 2600-2650Lm, 2865-2940Lm<sup>2</sup>
- Luminaire efficacy: 71.16Lm/W, 75.88Lm/W, 76.72Lm, 81.48Lm/W, 72.22Lm/W, 71.65Lm/W<sup>1</sup>
- Correlated colour temperature: 3000K, 4000K
- Colour rendering index: >90<sup>3</sup>
- Mac-Adams Ellipse: 3-SDCM
- LED brand: Citizen COB LED
- Glare control: UGR<19
- Symmetrical distribution: 20°, 40°
- Outer trim Ø140mm x Height 162mm
- Ingress protection rating: IP65 (Front side)
- Luminaire finishes: White, Black
- Baffle Options: White, Black, Specular, Gold, Bronze
- Longevity: >50,000Hrs L80 B10
- Driver: Tridonic non-dimmable as standard
- Dimming: DALI-2, BLE (basicDIM Wireless / Casambi) on request<sup>4</sup>
- Weight: 1.47Kg (including driver)
- Warranty: 5 years<sup>5</sup>

Model	LED Output <sup>2</sup>	Luminous Flux <sup>2</sup>	LED Wattage	System Wattage	CCT	CRI <sup>3</sup>	Distribution
INDEX-SM140-10W-3K	1050Lm	854Lm	10W	11.3W	3000K	>90	20°, 40°
INDEX-SM140-10W-4K	1050Lm	900Lm	10W	11.3W	4000K	>90	20°, 40°
INDEX-SM140-15W-3K	1550Lm	1290Lm	15W	16.7W	3000K	>90	20°, 40°
INDEX-SM140-15W-4K	1550Lm	1350Lm	15W	16.7W	4000K	>90	20°, 40°
INDEX-SM140-20W-3K	2100Lm	1688Lm	20W	23W	3000K	>90	20°, 40°
INDEX-SM140-20W-4K	2100Lm	1787Lm	20W	23W	4000K	>90	20°, 40°
INDEX-SM140-25W-3K	2650Lm	2200Lm	25W	27W	3000K	>90	20°, 40°
INDEX-SM140-25W-4K	2650Lm	2233Lm	25W	27W	4000K	>90	20°, 40°
INDEX-SM140-32W-3K	3120Lm	2600Lm	32W	36W	3000K	>90	20°, 40°
INDEX-SM140-32W-4K	3120Lm	2650Lm	32W	36W	4000K	>90	20°, 40°
INDEX-SM140-36W-3K	3450Lm	2865Lm	36W	40W	3000K	>90	20°, 40°
INDEX-SM140-36W-4K	3450Lm	2940Lm	36W	40W	4000K	>90	20°, 40°

For Non-dimming add suffix ND  
For DALI-2 dimming add suffix D  
For BLUETOOTH dimming add suffix BT

Example product order code configuration: INDEX-SM140-20W-3K-40-ND-(WH/BK)

Model	Wattage	CCT	Distribution	Driver	Luminaire Finish / Baffle Finish					
INDEX-SM140	+	20W	+	3K	+	40	+	D	+	WH/BK

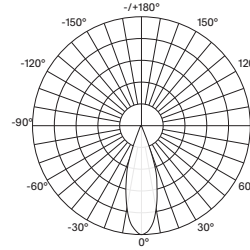
1 Luminaire efficacy based on CCT 3000K; CCT variation will alter efficacy  
2 +/- 10% stated initial LED and luminous flux tolerance  
3 Colour Rendering Index: >90 Standard (Citizen COB Series)  
4 Additional charges apply for non-standard colour/s, accessories and dimming options  
5 Five year manufacturer's warranty covering product defects and performance deficiencies

## Index-SM140

### 10W~36W Fixed IP Rated Surface / Suspended Mount Downlight

#### Light Distribution

INDEX-SM140-36W-3K-40

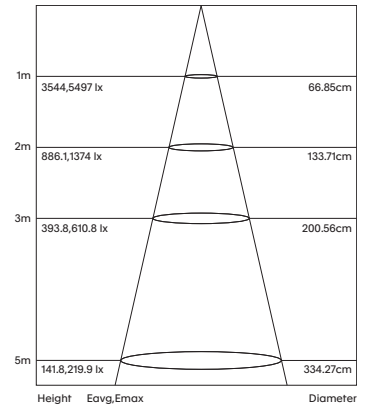


Light output ratio	
LOR	100%
ULOR	0%
DLOR	100%
FFR	0.00 (0:100)
BLF	1.00

LUMINANCE cd/(m²)		
G(DEG)	C0/180	C90/270
85	25	23
80	20	19
75	18	17
70	17	17
65	39	50
60	610	700
55	1669	1859
50	5063	5270

Room Reflectance		Utilisation Factors									
Ceiling	Walls   Floor	Room Index									
70	50   20	0.80	1.00	1.25	1.50	2.00	2.50	3.00	4.00	5.00	
		90	94	98	101	104	106	107	110	111	

#### Cone Diagram



- 1 Luminaire efficacy based on CCT 3000K; CCT variation will alter efficacy
- 2 +/- 10% stated initial LED and luminous flux tolerance
- 3 Colour Rendering Index: >90 Standard (Citizen COB Series)
- 4 Additional charges apply for non-standard colour/s, accessories and dimming options
- 5 Five year manufacturer's warranty covering product defects and performance deficiencies