

## Carter-F110

### 15W Fixed IP Rated LED Recessed Downlight



Luminaire Finishes

White (WH)     Black (BK)     Custom



WATTAGE 15W
Ø 110
UGR <19
Bluetooth
Z
bali
CE
WARRANTY 5YR

3-Step
CRI (Ra) >83
60°
IP 65

IP65 rated, recessed, LED luminaire series with a deep set light source, providing symmetrical low glare distribution and efficient performance. Suitable for interior or exterior applications, it is available in a range of wattage/lumen packages and various dimming options.

With a die-cast aluminium housing and aluminium reflector, it is available in black, white and custom finishes. Integrating Zhaga compliant Citizen LED technology with Tridonic control gear, the Carter series comes with a 5 year warranty.

- Luminaire wattage: 15W (System 18W)
- Luminous flux: 1579-1683Lm<sup>2</sup>
- Luminaire efficacy: 82.02Lm/W<sup>1</sup>
- Correlated colour temperature: 3000K, 4000K
- Colour rendering index: >83<sup>3</sup>
- Mac-Adams Ellipse: 3-SDCM
- LED brand: Citizen COB LED
- Glare control: UGR<19
- Symmetrical distribution: 60°
- Outer trim Ø127mm; Ceiling cut-out Ø110mm
- Ingress protection rating: IP65 standard (Complete)
- Luminaire finishes: White; Black; Custom optional<sup>4</sup>
- Longevity: >50,000Hrs L80 B10
- Driver: Tridonic non-dimmable as standard
- Dimming: DALI-2, BLE (basicDIM Wireless / Casambi) on request<sup>4</sup>
- Weight: 500g (excluding driver)
- Warranty: 5 years<sup>5</sup>

Model	LED Output <sup>2</sup>	Luminous Flux <sup>2</sup>	LED Wattage	System Wattage	CCT	CRI <sup>3</sup>	Distribution
CARTER-F110-15W-3K	1900Lm	1579Lm	15W	18W	3000K	>83	60°
CARTER-F110-15W-4K	2000Lm	1683Lm	15W	18W	4000K	>83	60°

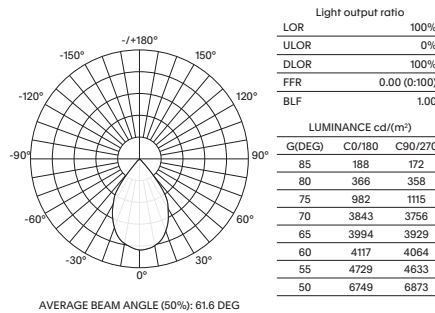
For Non-dimming add suffix ND  
For DALI-2 dimming add suffix D  
For BLUETOOTH dimming add suffix BT

Example product order code configuration: CARTER-F110-15W-3K-60-D-(WH)

Model	Wattage	CCT	Distribution	Driver	Luminaire Finish					
CARTER-F110	+	15W	+	3K	+	60	+	D	+	WH

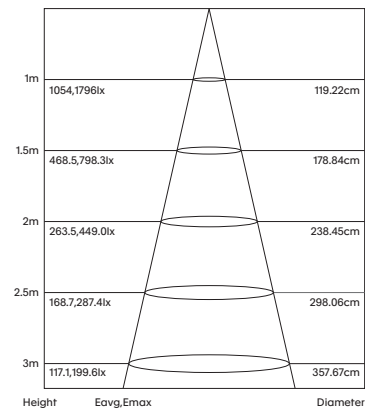
#### Light Distribution

CARTER-F110-15W-3K-60



Room Reflectance		Utilisation Factors									
Room	Index	0.80	1.00	1.25	1.50	2.00	2.50	3.00	4.00	5.00	
Ceiling	70	90	94	98	101	104	106	107	110	111	
Walls	50										
Floor	20										

#### Cone Diagram



1 Luminaire efficacy based on CCT 3000K; CCT variation will alter efficacy  
2 +/- 10% stated initial LED and luminous flux tolerance  
3 Colour Rendering Index: >83 Standard (Citizen COB series)  
4 Additional charges apply for non-standard colour/s and dimming options  
5 Five year manufacturer's warranty covering product defects and performance deficiencies