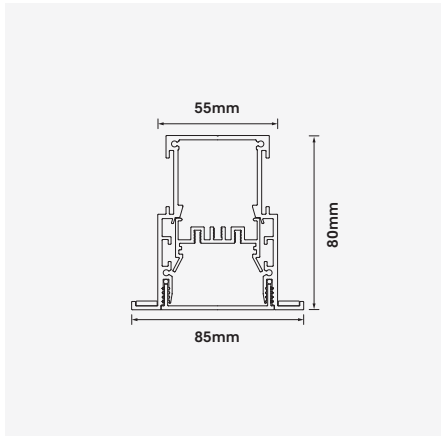


Aqualuma-50-REC

Recessed Mounted IP Rated Linear LED Profile



Luminaire Finishes



Diffuser options

Opal PC (OP)
Opal Polycarbonate

Accessories

Mounting Springs
Spring clips to suit recessed



WATTAGE 11W-28W
 CRI (Ra) >85
 IP 65
 Bluetooth
 3-Step
 110°
 Recessed
 IK 08
WARRANTY 5YR

Aqualuma-50 LED IP Rated linear lighting system offers a versatile solution to conventional lighting layouts. The configurable system enhances the possibility for engineers, designers and contractors to create varied lighting scenarios and environments in a single luminaire design. Available as standard in a zero dot LED PC diffuser for low visual glare and high impact resistance.

The Aqualuma-50 can be recessed mounted to suit a variety of applications. The Aqualuma-50 integrates Vossloh Schwabe LEDs and controls + optional DALI-2 or Bluetooth dimming. Systems are backed by a 5 year warranty.

- Luminaire wattage: 11W, 19W, 28W (System 13W, 22W, 32W)
- Luminous flux/m: 1708-1820Lm, 3093-3180Lm, 3808-4088Lm²
- Luminaire efficacy/m: 154.24Lm/W, 160.61Lm/W, 140.97Lm/W¹
- LED working current: 150mA, 250mA, 350mA
- Correlated colour temperature: 3000K, 4000K, 5000K
- Colour rendering index: >85³ standard
- Mac-Adams Ellipse: 3-SDCM
- LED Brand: Vossloh-Schwabe (Nichia SMD)
- LED mounting: Zhaga compliant mounting
- Longevity: >72,000Hrs L80 B10
- Diffuser options: Opal PC
- Distribution: 110° opal diffuser
- Ingress & IK protection rating: IP65, IK08
- Luminaire finish: White, Black, Silver, Custom⁴
- Luminaire dimensions: Width 85 x Height 80mm
- x Custom Length
- Driver: Non-Dimmable Vossloh-Schwabe LED driver as standard
- Dimming: DALI-2, BLE (basicDIM Wireless / Casambi) on request⁴
- Weight/m: 2.98Kg
- Warranty: 5 years⁵

Model	LED Output/m ²	Luminous Flux/m ²	LED Wattage/m	System Wattage/m	CCT	CRI ³	Distribution	Current
AQUALUMA-50-REC-11W-3K	2135Lm	1708Lm	11W	13W	3000K	>85	110°	150mA
AQUALUMA-50-REC-11W-4K	2275Lm	1820Lm	11W	13W	4000K	>85	110°	150mA
AQUALUMA-50-REC-11W-5K	2275Lm	1820Lm	11W	13W	5000K	>85	110°	150mA
AQUALUMA-50-REC-19W-3K	3465Lm	3093Lm	19W	22W	3000K	>85	110°	250mA
AQUALUMA-50-REC-19W-4K	3710Lm	3180Lm	19W	22W	4000K	>85	110°	250mA
AQUALUMA-50-REC-19W-5K	3710Lm	3180Lm	19W	22W	5000K	>85	110°	250mA
AQUALUMA-50-REC-28W-3K	4760Lm	3808Lm	28W	32W	3000K	>85	110°	350mA
AQUALUMA-50-REC-28W-4K	5110Lm	4088Lm	28W	32W	4000K	>85	110°	350mA
AQUALUMA-50-REC-28W-5K	5110Lm	4088Lm	28W	32W	5000K	>85	110°	350mA

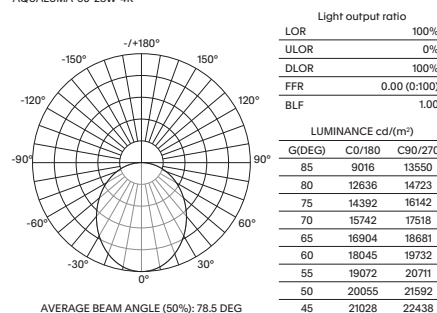
For Non-dimming add suffix ND
For DALI-2 dimming add suffix D
For BLUETOOTH dimming add suffix BT

Example product order code configuration: AQUALUMA-50-REC-28W-4K-ND-(WH/OP)

Model	Wattage	CCT	Driver	Luminaire Finish / Diffuser
AQUALUMA-50-REC	28W	4K	ND	WH/OP

Light Distribution

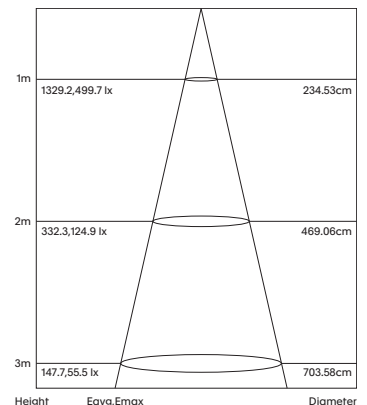
AQUALUMA-50-28W-4K



Utilisation Factors

Room Reflectance	Room Index									
Ceiling Walls Floor	0.80	1.00	1.25	1.50	2.00	2.50	3.00	4.00	5.00	
70 50 20	53	62	70	75	83	88	92	97	100	

Cone Diagram



- 1 Luminaire efficacy based on CCT 4000K; CCT variation will alter efficacy
- 2 +/- 10% stated initial LED and luminous flux tolerance
- 3 Colour Rendering Index; >85 Standard (Nichia SMD LED series)
- 4 Charges apply for non-standard colour/s, cuts, accessories and dimming options
- 5 Five year manufacturer's warranty covering product defects and performance deficiencies