

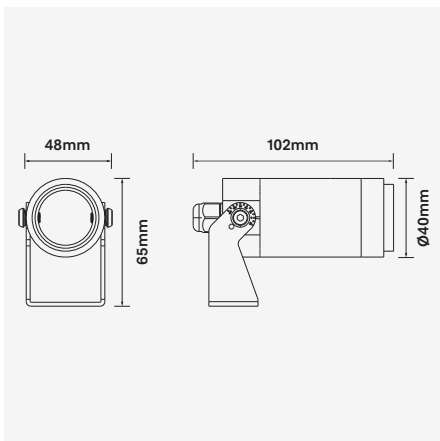
Solaris-SP40

5W Adjustable Landscape Luminaire



Luminaire Finishes

■ Iron Grey (GR) ■ Black (BK)



Accessories

SPIKE-PC
Landscape Polycarbonate spike
Ø38mm x Length 160mm
Black surface finish



SOLARIS-SP40-AG-GR
Solaris anti-glare hood
Ø40mm x Length 30mm
Iron grey surface finish



SOLARIS-SP40-AG-BK
Solaris anti-glare hood
Ø40mm x Length 30mm
Black surface finish



WATTAGE 5W
3-Step
CRI (Ra) >90
30° / 45°
IP 67
CE
WARRANTY 5YR

VOLTAGE 24VDC
Surface

Solaris forms part of the architectural landscape series providing symmetrical illumination in any residential, commercial or public spaces. High class design makes for a minimalistic appearance, perfect to blend into its environment.

Quality construction with high precision machining ensures a perfect mechanical fit. Integral thermal management system for extended life. Triple layered coating for high corrosion resistance. Extra low voltage ensures no risk of electrical shock. Integrating class leading Citizen LED technology with high colour rendering enhancing colours within the area. Solaris-SP series offers a 5 year warranty.

- Luminaire wattage: 5W (System 5.5W)
- Luminous flux: 504-595Lm²
- Luminaire efficacy: 91.64Lm/W¹
- Correlated colour temperature: 3000K, 4000K
- Colour rendering index: >90 standard
- Mac-Adams Ellipse: 3-SDCM
- LED brand: Citizen COB LED
- Symmetrical distribution: 30°, 45°
- Outer trim Ø40mm x Length 102mm x Height 65mm
- Ingress protection rating: IP67 standard
- Luminaire finishes: Iron Grey, Black
- Longevity: >50,000Hrs L80 B10
- Working voltage: 24VDC
- Driver: Requires Remote 24VDC LED driver
- Weight: 290g (excluding driver)
- Warranty: 5 years⁴

Model	LED Output ²	Luminous Flux ²	LED Wattage	System Wattage	CCT	CRI ³	Distribution
SOLARIS-SP40-3K-5W-30	650Lm	504Lm	5W	5.5W	3000K	>90	30°
SOLARIS-SP40-3K-5W-45	650Lm	490Lm	5W	5.5W	3000K	>90	45°
SOLARIS-SP40-4K-5W-30	750Lm	577Lm	5W	5.5W	4000K	>90	30°
SOLARIS-SP40-4K-5W-45	750Lm	595Lm	5W	5.5W	4000K	>90	45°

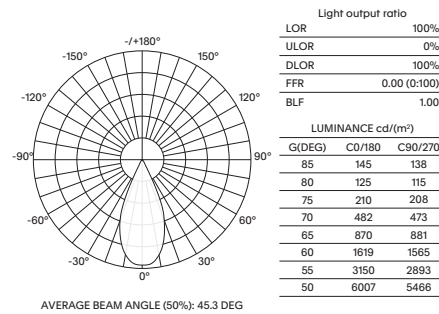
For Non-dimming add suffix ND

Example product order code configuration: SOLARIS-SP40-5W-3K-30-ND-(GR)

Model	Wattage	CCT	Distribution	Driver	Luminaire Finish					
SOLARIS-SP40	+	5W	+	3K	+	30	+	ND	+	GR

Light Distribution

SOLARIS-SP40-5W-3K-45



Room Reflectance	Utilisation Factors																	
	Ceiling					Walls					Floor							
	0.80	1.00	1.25	1.50	2.00	2.50	3.00	4.00	5.00	0.80	1.00	1.25	1.50	2.00	2.50	3.00	4.00	5.00
70	88	93	97	100	103	105	107	109	111	88	93	97	100	103	105	107	109	111

Cone Diagram

