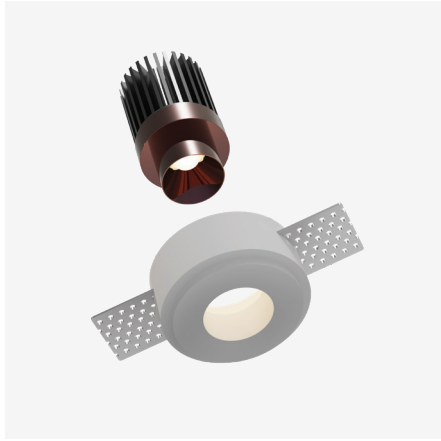


Twinkle-TL1

8.5W Fixed Trimless Recessed Downlight

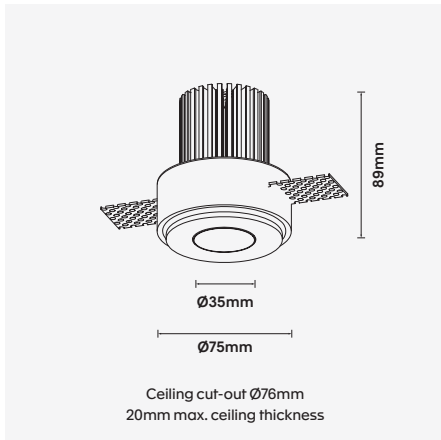


Luminaire Finish

White (WH) Gypsum

Baffle Finish

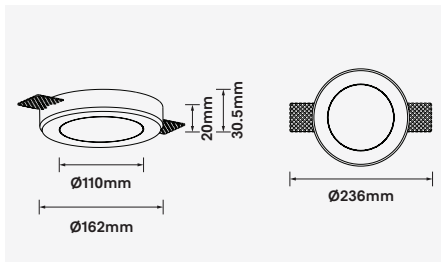
Black Chrome (BC)



Accessories

TWINKLE-MH

Gypsum man-hole cover
Ø162mm x H30.5, Cutout Ø165mm



Note: Man-Hole cover used as an access panel to allow access to the LED module and LED driver.



The Twinkle LED downlight series offers optimised and efficient performance with symmetrical, low-glare illumination. The recessed LED architectural luminaire with a Ø35mm aperture offering a discrete pin-hole appearance with a luxurious black-chrome surface finish. Plaster set trimless finish giving a seamless integration into any plaster board ceiling installation.

Available in a range of colour temperatures and lumen packages. Integrating class leading Cree LED technology and coupled with Tridonic LED driver with optional dimming options. Twinkle series offers a 5 year warranty.

- Luminaire wattage: 8.5W (System 10W)
- Luminous flux: 468-490Lm²
- Luminaire efficacy: 47Lm/W¹
- Correlated colour temperature: 2700K, 3000K
- Colour rendering index: >90 standard³
- Mac-Adams Ellipse: 3-SDCM
- LED brand: Cree SMD LED
- Glare control: UGR<13
- Symmetrical distribution: 20°, 30°
- Outer trim Ø75mm; Ceiling cut-out Ø76mm
- Ingress protection rating: IP20
- Luminaire finishes: White Gypsum
- Baffle Option: Black chrome
- Longevity: >50,000Hrs L80 B10
- Driver: Tridonic non-dimmable LED driver as standard
- Dimming: DALI-2, BLE (basicDIM Wireless / Casambi) on request⁴
- Weight: 350g (excluding driver)
- Warranty: 5 years⁵

Model	LED Output ²	Luminous Flux ²	LED Wattage	System Wattage	CCT	CRI ³	Distribution
TWINKLE-TL1-8.5W-27K	980Lm	473Lm	8.5W	10W	2700K	>90	20°
TWINKLE-TL1-8.5W-3K	1050Lm	495Lm	8.5W	10W	3000K	>90	20°
TWINKLE-TL1-8.5W-27K	980Lm	473Lm	8.5W	10W	2700K	>90	30°
TWINKLE-TL1-8.5W-3K	1050Lm	495Lm	8.5W	10W	3000K	>90	30°

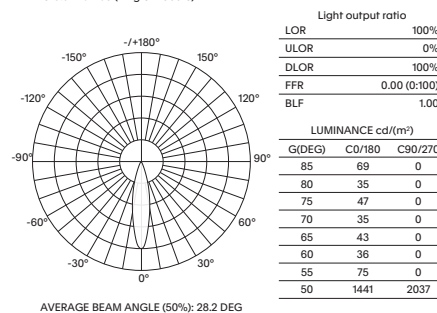
For Non-dimming add suffix ND
For DALI-2 dimming add suffix D
For BLUETOOTH dimming add suffix BT

Example product order code configuration: TWINKLE-TL1-8.5W-3K-30-D-(WH/BC)

Model	Wattage	CCT	Distribution	Driver	Luminaire Finish / Baffle Finish
TWINKLE-TL1	8.5W	3K	30	D	WH/BC

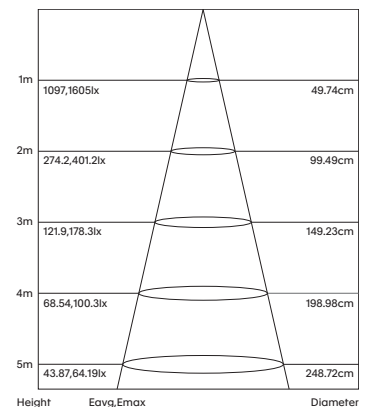
Light Distribution

Twinkle-8.5W-3K-30 (Single module)



Room Reflectance		Utilisation Factors									
Ceiling	Walls Floor	Room Index									
0.80	1.00 1.25	1.50	2.00	2.50	3.00	4.00	5.00				
70	50 20	92	96	100	103	105	107	108	110	112	

Cone Diagram



1 Luminaire efficacy based on CCT 3000K; CCT variation will alter efficacy
2 +/- 10% stated initial LED and luminous flux tolerance
3 Colour Rendering Index: >90 Standard (Cree SMD LED series)
4 Additional charges apply for non-standard colour/s and dimming options
5 Five year manufacturer's warranty covering product defects and performance deficiencies