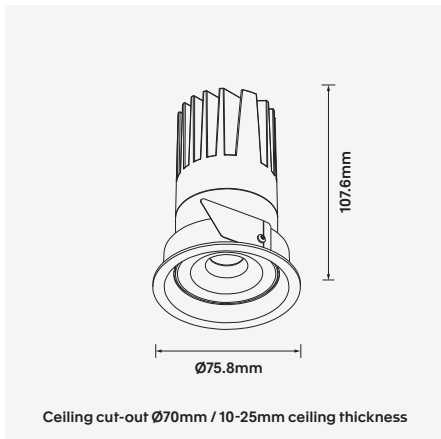
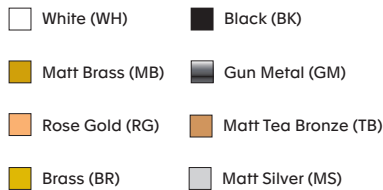


Esprit-A70

16W Adjustable LED Recessed Downlight



Luminaire Finishes



Esprit-A series is a deep-set, low glare recessed LED luminaire with unique trim design that gently recesses back to a small aperture creating a unique delicate look. A range of beam distributions and colour options. Made from high quality materials including a die-cast aluminum housing and quality deep-set optical lens.

Esprit's simple and efficient design allows for ease of maintenance and adaptability. It has been designed for a minimal look that suits residential, hotel and commercial applications. Integrating Zhaga compliant Bridgelux LED technology and non-dimmable, Mains-Dimming, DALI-2 or BLE dimming options. Esprit-A series offers a 5 year warranty.

- Luminaire wattage: 16W (System 18W)
- Luminous flux: 1084-1189Lm²
- Luminaire efficacy: 63Lm/W¹
- Correlated colour temperature: 2700K, 3000K, 4000K
- Colour rendering: >90³
- Mac-Adams Ellipse: 3-SDCM
- LED Brand: Bridgelux COB LED
- Glare control: 24° UGR<11, 36° UGR<16
- Symmetrical distribution: 24°, 36°
- Adjustability: ±22° Tilt
- Outer trim Ø76mm; Ceiling cut-out Ø70mm
- Ingress protection: IP20
- Luminaire finishes: White, Black (standard), Brass, Matte Silver, Rose Gold, Gun Metal, Matte Tea Bronze⁴
- Driver: non-dimmable LED driver as standard
- Dimming: Mains-Dimming, DALI-2, BLE (basicDIM Wireless / Casambi) on request⁴
- Weight: 320g (excluding driver)
- Warranty: 5 years⁵

Model	LED Output ²	Luminous Flux ²	LED Wattage	System Wattage	CCT	CRI ³	Distribution
ESPRIT-A70-16W-27K	1615Lm	1084Lm	16W	18W	2700K	>90	24°, 36°
ESPRIT-A70-16W-3K	1700Lm	1134Lm	16W	18W	3000K	>90	24°, 36°
ESPRIT-A70-16W-4K	1780Lm	1189Lm	16W	18W	4000K	>90	24°, 36°

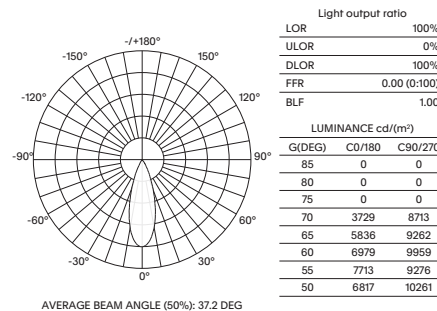
FFor Mains-Dimming add suffix MD
For DALI-2 dimming add suffix D
For BLUETOOTH dimming add suffix BT

Example product order code configuration: ESPRIT-A70-16W-3K-36-D-(WH)

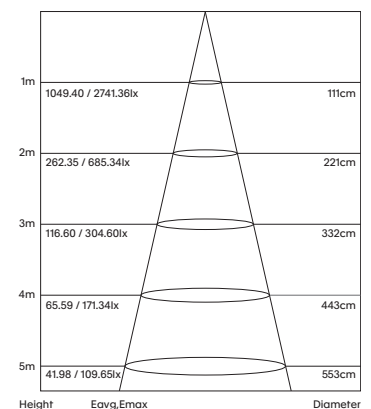
Model	Wattage	CCT	Distribution	Driver	Luminaire Finish
ESPRIT-A70	16W	3K	36	D	WH

Light Distribution

ESPRIT-A70-16W-3K-36



Cone Diagram



1 Luminaire efficacy based on CCT 3000K; CCT variations will alter efficacy
2 +/- 10% stated initial LED and luminous flux tolerance
3 Colour Rendering Index: >90 Standard (Bridgelux COB Series)
4 Additional charges apply for non-standard colour/s, trim types and dimming options
5 Five year manufacturer's warranty covering product defects and performance deficiencies