

Bono-A75

6W Adjustable LED Recessed Downlight

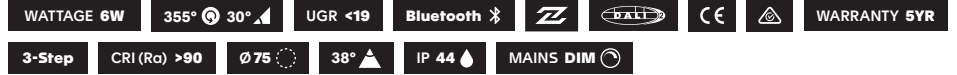
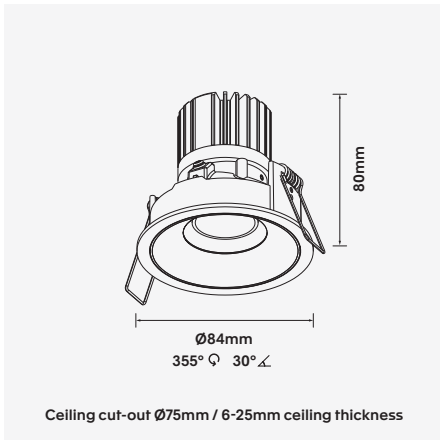


Luminaire Finishes

White (WH) Black (BK)

Interchangeable Baffle Finishes

White (WH) Black (BK) Gold (GD)



An adjustable, recessed, architectural downlight that provides symmetrical, low-glare light distribution in a deep set housing. The minimal design and high efficiency of the Bono-A75 makes it suitable for a wide range of applications. The different trim and baffle options provide adaptability to suit a variety of environments in both commercial and residential spaces.

Features a Zhaga compliant LED from industry leading Bridgelux. A wide range of colour temperatures and dimming options from Mains dimming through to DALI-2 and Bluetooth. Bono-A series offers a 5 year warranty.

- Luminaire wattage: 6W (System 7W)
- Luminous flux: 389-410Lm²
- Luminaire efficacy: 55.57Lm/W¹
- Correlated colour temperature: 3000K, 4000K
- Colour rendering index: <90³
- Mac-Adams Ellipse: 3-SDCM
- LED Brand: Bridgelux COB LED
- Glare control: <19
- Symmetrical distribution: 38°
- Outer trim Ø84mm; ceiling cut-out Ø75mm
- Adjustability: +/- 30° tilt, 355° rotation
- Ingress protection rating: IP44
- Luminaire finishes: White, Black
- Baffle options: White, Black, Gold
- Longevity: >50,000Hrs L80 B10
- Driver: Mains dimmable as standard
- Dimming: DALI-2, BLE (basicDIM Wireless / Casambi) on request⁴
- Weight: 230g (excluding driver)
- Warranty: 5 years⁵

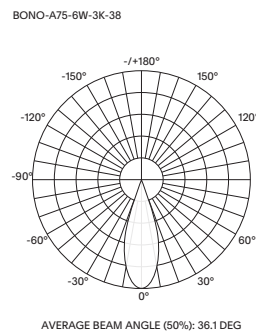
Model	LED Output ²	Luminous Flux ²	LED Wattage	System Wattage	CCT	CRI ³	Distribution
BONO-A75-6W-3K	608Lm	389Lm	6W	7W	3000K	>90	38°
BONO-A75-6W-4K	640Lm	410Lm	6W	7W	4000K	>90	38°

For MAINS dimming add suffix MD
For DALI-2 dimming add suffix D
For BLUETOOTH dimming add suffix BT

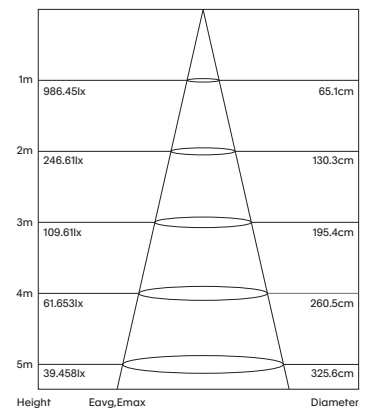
Example product order code configuration: BONO-A75-6W-3K-38-MD-(WH/WH)

Model	Wattage	CCT	Distribution	Driver	Luminaire Finish / Baffle Finish					
BONO-A75	+	6W	+	3K	+	38	+	MD	+	WH/WH

Light Distribution



Cone Diagram



1 Luminaire efficacy based on CCT 3000K; CCT variation will alter efficacy
2 +/- 10% stated initial LED and luminous flux tolerance
3 Colour Rendering Index: >90 Standard (Bridgelux LED Series)
4 Additional charges apply for non-standard colour/s and dimming options
5 Five year manufacturer's warranty covering product defects and performance deficiencies