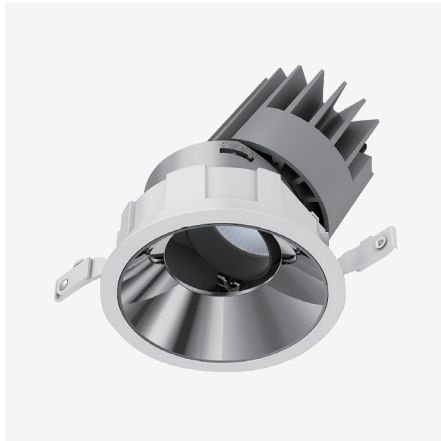


Recco-A100

13W / 18W Adjustable LED Round Recessed Downlight

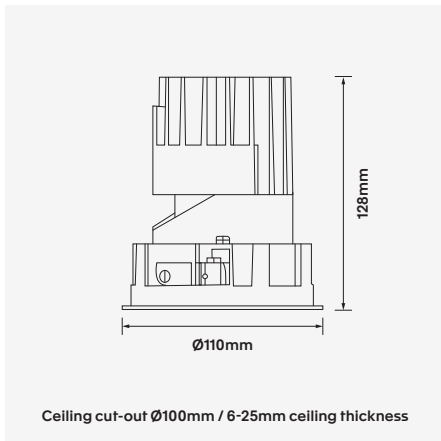


Luminaire Finishes

White (WH) Black (BK)

Interchangeable Baffle Finishes

White (WH) Black (BK) Matt (MT)
 Specular (SP) Black Chrome (BC)
 Gold (GD)



Accessories

RECCO-100-HC
Honeycomb mesh



RECCO-100-TR
Trimless



WATTAGE 13W / 18W
COI ON REQUEST
Bluetooth
Z
CE
WARRANTY 5YR

3-Step
Ø100
20° / 40° / 50°
355° 30°
CRI (Ra) >90
IP 20
UGR <19

Adjustable recessed LED architectural luminaire series providing low-glare light distribution with a unique mechanism for uniform and precise angle adjustment and spring-load pushback for easy installation. Driven by high quality and versatile design, the Recco adjustable LED downlight series offers optimised and efficient performance with a vast range of cut-out and wattage/lumen packages. It is available in a range of colour temperatures, beam angles and secondary reflector finishes to suit a multitude of applications.

Recco offers various dimming options and an additional anti-glare honeycomb reflector accessory. The fitting is made from a die-cast aluminium housing with high purity aluminium primary reflector and high-grade polycarbonate secondary reflector. Integrating Zhaga compliant Citizen LED technology with Tridonic control gear, the Recco-A series offers a 5 year warranty.

- Luminaire wattage: 13W, 18W (System 15W, 21W)
- Luminous flux: 850-900Lm, 1100-1200Lm²
- Luminaire efficacy: 65.38Lm/W, 61.11Lm/W¹
- Correlated colour temperature: 3000K, 4000K
- Colour rendering index: >90 standard; >97/COI on request³
- Mac-Adams Ellipse: 3-SDCM
- LED brand: Citizen COB LED
- Glare control: UGR<19
- Symmetrical distribution: 20°, 40°, 50°
- Outer Trim Ø110mm; Ceiling cut-out Ø100mm
- Adjustability: ±30° Tilt, 355° Rotation
- Ingress protection rating: IP20
- Luminaire finishes: White, Black
- Baffle Options: White, Black, Matt, Specular, Black Chrome, Gold⁴
- Longevity: >50,000Hrs L80 B10
- Driver: Tridonic non-dimmable as standard
- Dimming: DALI-2, BLE (basicDIM Wireless / Casambi) on request⁴
- Weight: 590g (excluding driver)
- Warranty: 5 years⁵

Model	LED Output ²	Luminous Flux ²	LED Wattage	System Wattage	CCT	CRI ³	Distribution
RECCO-A100-13W-3K	1300Lm	850Lm	13W	15W	3000K	>90	20°, 40°, 50°
RECCO-A100-13W-4K	1400Lm	900Lm	13W	15W	4000K	>90	20°, 40°, 50°
RECCO-A100-18W-3K	1700Lm	1100Lm	18W	21W	3000K	>90	20°, 40°, 50°
RECCO-A100-18W-4K	1800Lm	1200Lm	18W	21W	4000K	>90	20°, 40°, 50°

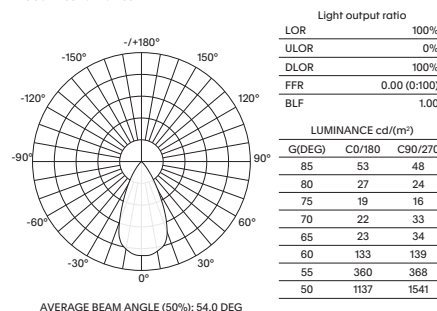
For Non dimming add suffix ND
 For DALI-2 dimming add suffix D
 For BLUETOOTH dimming add suffix BT

Example product order code configuration: RECCO-A100-13W-3K-50-D-(WH/SP)

Model	Wattage	CCT	Distribution	Driver	Luminaire Finish / Baffle Finish
RECCO-A100	13W	3K	50	D	WH/SP

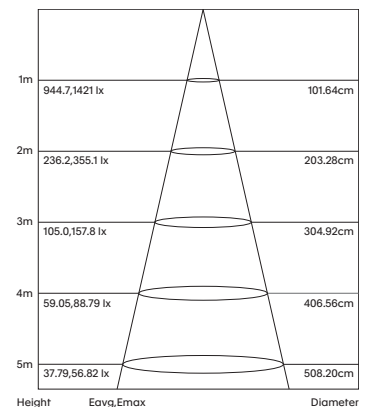
Light Distribution

RECCO-A100-13W-3K-50



Room Reflectance		Room Index									
Ceiling	Walls Floor	0.80	1.00	1.25	1.50	2.00	2.50	3.00	4.00	5.00	
70	50 20	91	95	99	102	104	106	108	110	111	

Cone Diagram



1 Luminaire efficacy based on CCT 3000K; CCT variation will alter efficacy
 2 +/- 10% stated initial LED and luminous flux tolerance
 3 Colour Rendering Index: >90 Standard (Citizen COB Series), >97/Cyanosis Observation Index (COI) compliance on request: Citizen LED series compliant to AS/NZS1680.2.5:2018; COI <3.3 and CCT 3300-5300K
 4 Additional charges apply for non-standard colour/s and dimming options
 5 Five year manufacturer's warranty covering product defects and performance deficiencies