

Axes-SM115

20W Adjustable Surface Mount Downlight

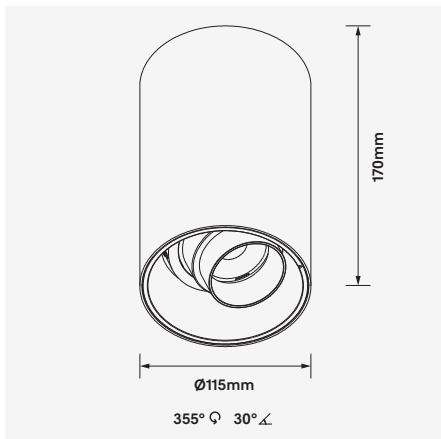


Luminaire Finishes

White (WH) Black (BK)

Baffle Finish

Black (BK)



The Axes surface mounted adjustable luminaire provides optimised and efficient performance in a small discrete housing. The architectural LED fitting uses a deep-set light source and honeycomb louvre to provide a symmetrical distribution without glare. The fitting can be rotated 355° with the ability to tilt up to 30° for better focusing.

Built using a high quality aluminium construction and optical grade lens for controlled illumination. Available in a Matte White or Black exterior with a Black Baffle. Suitable for residential, hotel, retail and commercial applications. Integrating Bridgelux COB LED technology with high CRI for superior colour rendering, optional DALI-2 or BLE dimming on request. The Axes-SM115 offers a 5 year warranty.

- Luminaire wattage: 20W (System 20.5W)
- Luminous flux: 1605-1703Lm²
- Luminaire efficacy: 83.0Lm/W¹
- Correlated colour temperature: 2700K, 3000K, 4000K
- Colour rendering index: >90³
- Mac-Adams Ellipse: 3-SCDM
- LED brand: Bridgelux COB LED
- Glare control: UGR<19
- Symmetrical distribution: 15°, 25°, 38°, 50°
- Adjustability: 355° Rotation; 30° Tilt
- Outer trim Ø115mm x Height 170mm
- Ingress protection rating: IP20
- Luminaire finishes: White, Black
- Baffle options: Black
- Longevity: >50,000Hrs L80 B10
- Driver: Integral non-dimmable as standard
- Dimming: Remote DALI-2, BLE (basicDIM Wireless / Casambi) on request⁴
- Weight: 1.15kg (excluding driver)
- Warranty: 5 years⁵

Model	LED Output ²	Luminous Flux ²	LED Wattage	System Wattage	CCT	CRI ³	Distribution
AXES-SM115-20W-27K	2420Lm	1605Lm	20W	20.5W	2700K	>90	15°, 25°, 38°, 50°
AXES-SM115-20W-3K	2458Lm	1605Lm	20W	20.5W	3000K	>90	15°, 25°, 38°, 50°
AXES-SM115-20W-4K	2458Lm	1703Lm	20W	20.5W	4000K	>90	15°, 25°, 38°, 50°

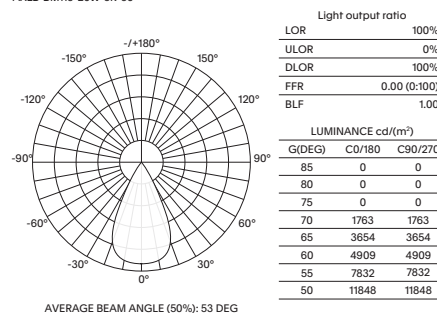
For Non-dimming add suffix ND
For DALI-2 dimming add suffix D
For BLUETOOTH dimming add suffix BT

Example product order code configuration: AXES-SM115-20W-3K-25-ND-(WH/BLK)

Model	Wattage	CCT	Distribution	Driver	Luminaire Finish / Baffle Finish					
AXES-SM115	+	20W	+	3K	+	25	+	ND	+	WH/BK

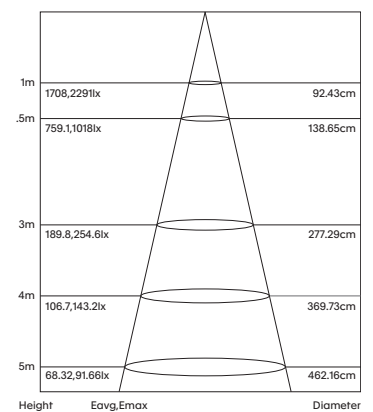
Light Distribution

AXES-SM115-20W-3K-50



Room Reflectance		Utilisation Factors									
Ceiling	Walls	Floor	0.80	1.00	1.25	1.50	2.00	2.50	3.00	4.00	5.00
70	50	20	91	95	99	102	105	106	108	110	112

Cone Diagram



1 Luminaire efficacy based on CCT 3000K; CCT variation will alter efficacy
2 +/- 10% stated initial LED and luminous flux tolerance
3 Colour Rendering Index: >90 Standard (Bridgelux COB Series)
4 Additional charges apply for non-standard colour/s and dimming options. DALI-2 and BLE dimmable LED drivers are to be mounted remotely
5 Five year manufacturer's warranty covering product defects and performance deficiencies