

Linie-IP-F10C

22W Fixed IP Rated Recessed Linear Downlight

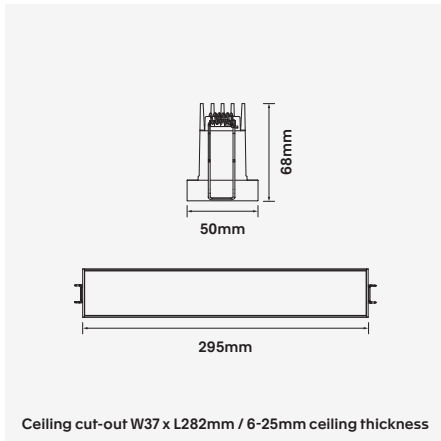


Luminaire Finishes

White (WH) Black (BK)

Baffle Finishes

White (WH) Black (BK) Gold (GD)
 Silver (SV)



WATTAGE 22W
UGR <19
CRI (Ra) >90
Bluetooth
Z
BAIT
CE
WARRANTY 5YR

3-Step
24° / 40°
37 x 282
IP 65
Recessed

Fixed IP65 rated recessed LED architectural downlight series provides symmetrical, low-glare light distribution within a compact, linear housing. Designed as an exterior fitting and available in multiple baffle finishes the Linie-IP is suitable for a range of environments and applications.

Features a quality constructed die-cast aluminium structure and glass lens. Integrating OSRAM LED technology with a TRIDONIC control gear, the Linie-IP series comes with a 5 year warranty.

- Luminaire wattage: 22W (System 24W)
- Luminous flux: 1450-1600Lm²
- Luminaire efficacy: 60.41Lm/W¹
- Correlated colour temperature: 3000K, 4000K
- Colour rendering index: >90³
- Mac-Adams Ellipse: 3-SDCM
- LED brand: Osram SMD LED
- Glare control: <19
- Symmetrical distribution: 24°, 40°
- Outer trim: Width 50mm x Length 295mm
- Ceiling cut-out Width 37mm x Length 282mm
- Ingress protection rating: IP65
- Luminaire finishes: White, Black
- Baffle options: White, Black, Gold, Silver⁴
- Longevity: >50,000Hrs L80 B10
- Driver: Tridonic non-dimmable LED driver as standard
- Dimming: DALI-2, BLE (basicDIM Wireless / Casambi) on request⁴
- Weight: 745g (inc. non-dimmable driver)
- Warranty: 5 years⁵

Model	LED Output ²	Luminous Flux ²	LED Wattage	System Wattage	CCT	CRI ³	Distribution
LINE-IP-F10C-22W-3K-24	2100Lm	1550Lm	22W	24W	3000K	>90	24°
LINE-IP-F10C-22W-4K-24	2200Lm	1600Lm	22W	24W	4000K	>90	24°
LINE-IP-F10C-22W-3K-40	2100Lm	1450Lm	22W	24W	3000K	>90	40°
LINE-IP-F10C-22W-4K-40	2200Lm	1500Lm	22W	24W	4000K	>90	40°

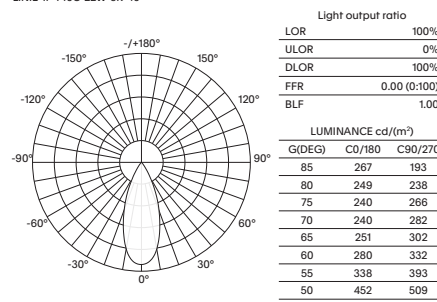
For Non-dimming add suffix ND
For DALI-2 dimming add suffix D
For BLUETOOTH dimming add suffix BT

Example product order code configuration: LINE-IP-F10C-22W-3K-40-ND-(WH/BK)

Model	Wattage	CCT	Distribution	Driver	Luminaire Finish / Baffle Finish
LINE-IP-F10C	22W	3K	40	ND	WH/BK

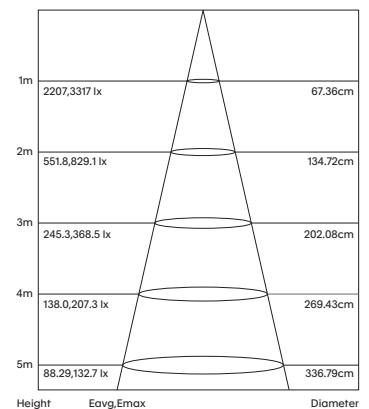
Light Distribution

LINE-IP-F10C-22W-3K-40



Utilisation Factors	
Room Reflectance	Room Index
Ceiling Walls Floor	0.80 1.00 1.25 1.50 2.00 2.50 3.00 4.00 5.00
70 50 20	92 96 100 103 105 107 108 110 112

Cone Diagram



1 Luminaire efficacy based on CCT 3000K; CCT variation will alter efficacy
2 +/- 10% stated initial LED and luminous flux tolerance
3 Colour Rendering Index; >90 Standard (Osram SMD series)
4 Charges apply for non-standard colour/s and dimming options
5 Five year manufacturer's warranty covering product defects and performance deficiencies