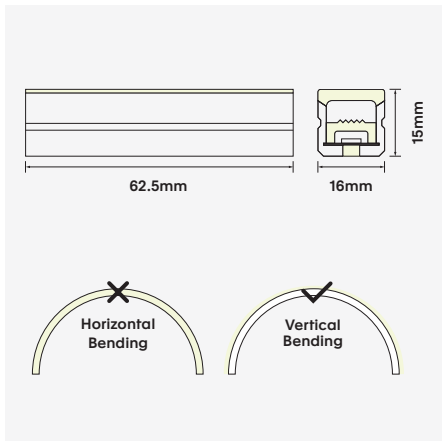
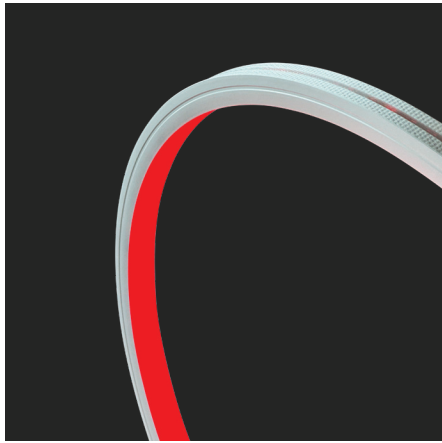


Intense-T-1615-RGB

5W / 10W / 15W Flexible RGB Top Bend Neon Flex



Power feed options

INTENSE-T-1615-EC
Silicone end cap



INTENSE-T-1615-PFE
Power feed - End



INTENSE-T-1615-PFB
Power feed - Bottom



INTENSE-T-1615-PFL
Power feed - Left

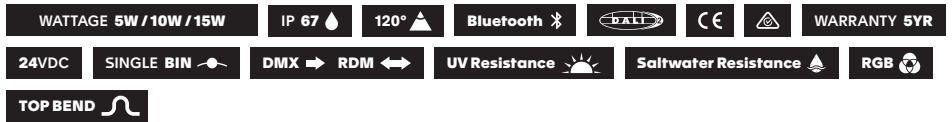


INTENSE-T-1615-PFR
Power feed - Right



Accessories

INTENSE-T-1615-X
MC Mounting Clip 25mm
MP Mounting Profile 1m



Intense-T-Colour series presents a dynamic, colourful and versatile 24V flexible top bending LED neon system for a range of applications. With the ability to adjust colour and create dynamic lighting states, Intense-T-1615-RGB can produce dramatic or subtle lighting effects for interior and exterior environments. Intense-T-1615-RGB can be utilised in pelmets, coffers and handrails through to landscape architecture uses such as seating, retaining walls, facade lighting and more.

Features a high quality silicon construction, that's flexible and UV stable while providing a continuous dot free line of light. Integrating branded constant voltage LED drivers from brands such as Vossloh-Schwabe, Tridonic or Meanwell with DALI-2, Bluetooth and DMX dimming available on request, the Intense series comes with a 5 year warranty.

- Luminaire wattage/m: 5W, 10W, 15W
- Luminous flux/m: 147.8Lm, 267.8Lm, 325.5Lm²
- Luminaire efficacy: 29.56Lm/W, 26.78Lm/W, 21.7Lm/W¹
- Peak Wavelength / Dominant: Red: 632nm; Green 517nm; Blue 462nm
- Single Bin selection
- LED Source / Quantity: SMD5050; 96pcs/m
- Symmetrical distribution: 120°
- Minimum cuttable Section: 62.5mm (group of 6 x SMD LED)
- Ingress protection rating: IP67
- Longevity: >50,000Hrs L80
- Installation: Mounting clips or aluminium mounting profile optional³
- Driver: Requires 24VDC non-dimmable constant voltage LED driver³
- Dimming / Contols: Remote DALI-2, BLE (basicDIM Wireless/ Casambi), DMX-512 on request³
- Warranty: 5 years⁴

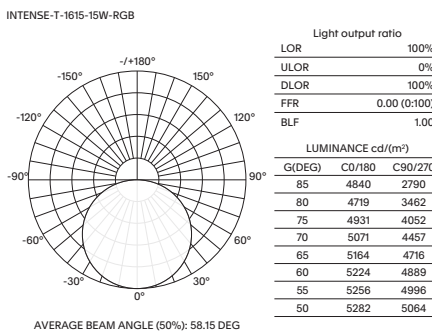
Model	Colour	Peak Wavelength /CCT	Luminous Flux/m ²	LED Wattage /m	Distribution	Number of LED/m	Maximum Continuous Length/m
INTENSE-T-1615-5W-RGB	Red Green Blue	632nm 517nm 462nm	147Lm	5W	120°	96	5m
INTENSE-T-1615-10W-RGB	Red Green Blue	632nm 517nm 462nm	267.8Lm	10W	120°	96	5m
INTENSE-T-1615-15W-RGB	Red Green Blue	632nm 517nm 462nm	325.5Lm	15W	120°	96	5m

For DALI DT8 dimming add suffix D
For BLUETOOTH dimming add suffix BT
For DMX Control, add suffix DMX

Example product order code configuration: INTENSE-T-1615-10W-RGB-DMX

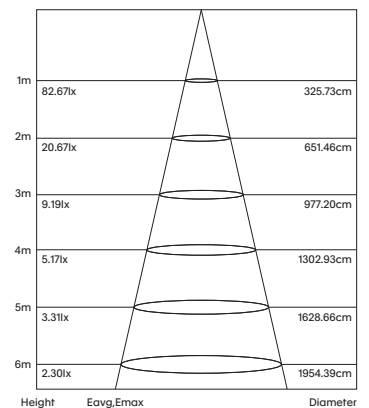
Model	Wattage	CCT	Driver
INTENSE-T-1615	10W	RGB	DMX

Light Distribution



Room Reflectance	Utilisation Factors					
	Room Index					
Ceiling	0.80	1.00	1.25	1.50	2.00	2.50
Walls	0.70	1.03	0.88	0.76	0.66	0.58
Floor	0.20	0.88	0.76	0.66	0.52	0.46

Cone Diagram



1 Luminaire efficacy based on Red, Green, Blue
2 +/- 10° stated initial LED and Luminous Flux tolerance
3 Charges apply for non-standard colour/s, LED drivers, dimming controls and accessories
4 Five year manufacturer's warranty covering product defects and performance deficiencies