

Nano-Track-SUS

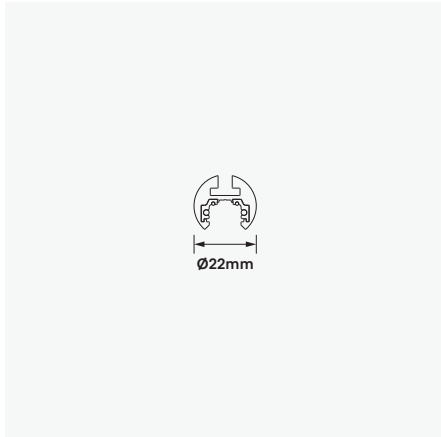
48VDC Nano-Track Suspended System



Track Finishes

Black (BK) White (WH)

Suspended Track
Product No: NTR-SUS22
Colour: Black, White
Size: Ø22 x L3000mm
Weight: 500g/m



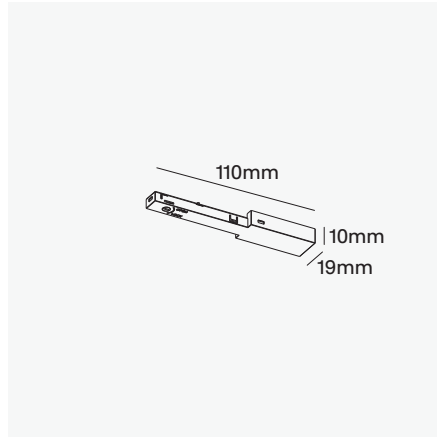
VOLTAGE 48VDC Track IP 20 Suspended CE WARRANTY 5YR

The 48VDC low voltage track system is synonymous with electrical safety, permitting greater flexibility and ease of use including installation. The Nano-Track, with its minimal foot print makes it a perfect solution where light is required and space is limited. The luminaire can be installed and moved to any position without the need for turning off the power to the track. This is due to its low voltage input of 48VDC. No tools are required, the luminaires simply snap-lock into position, remaining in place until you want to remove or re-position the luminaire.

The elegant and minimalist design permits a range of micro luminaires ranging from spots and linear sources. The system is designed to suit applications from residential through to retail and commercial. The 48VDC Track system is covered by a 5 year warranty.

- Mounting: Suspended
- Construction: Extruded 6063T grade aluminium mounting profile
- Finish options: Black, White
- Accessories: End caps, joiners and corners configuration Dependant
- Length (max.) 3000mm x Ø22mm
- Ingress Protection Rating: IP20
- Specifically designed for 48VDC Nano spots and linear luminaires
- Compatible with on/off operation only
- Weight/m: 500g (excluding driver & accessories)
- Warranty: 5 year¹

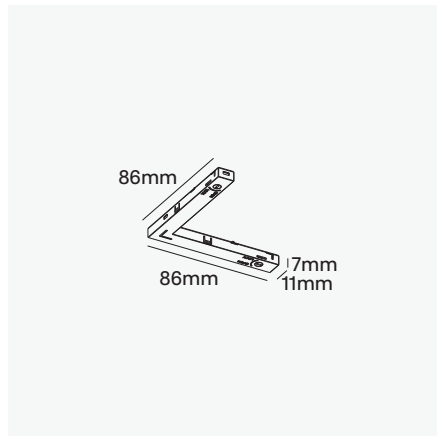
Power Feed Unit
Product No: NTR-19-PF
Colour: Black, White
Size: W19mm x H10mm x L110mm
Weight: 40g



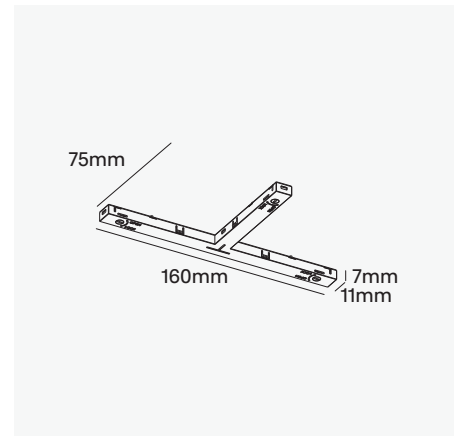
Straight-Connector
Product No: NTR-19-SC
Colour: Black, White
Size: W11mm x H7mm x L150mm
Weight: 50g



L-Connector
Product No: NTR-19-LC
Colour: Black, White
Size: W86mm x H7mm x L86mm
Weight: 50g



T-Connector
Product No: NTR-19-TC
Colour: Black, White
Size: W75mm x H7mm x L160mm
Weight: 60g

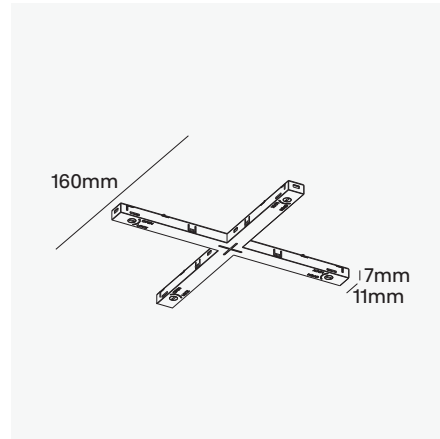


Nano-Track-SUS

48VDC Nano-Track Suspended System

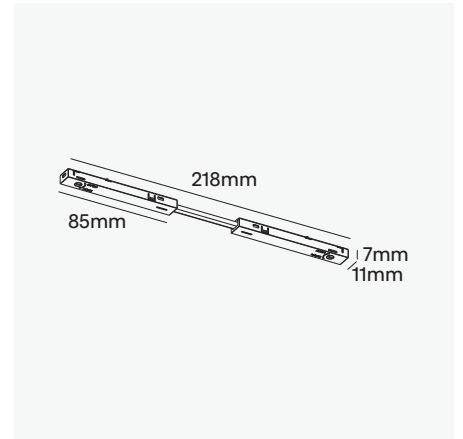
X-Connector

Product No: NTR-19-XC
Colour: Black, White
Size: W11mm x H7mm x L160mm
Weight: 80g



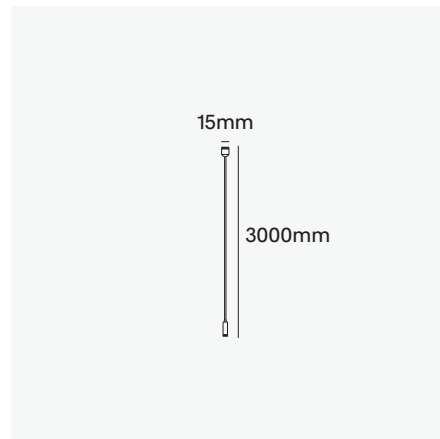
Flexible-Connector

Product No: NTR-19-FC
Colour: Black, White
Size: W11mm x H7mm x L218mm
Weight: 80g



Suspension Kit

Product No: SUSKIT-3M
Colour: Black, White
Size: W15mm x L3000mm
Weight: 30g



End Caps

Product No: NTR-SUS22-EC
Colour: Black, White
Size: Ø22mm
Weight: 10g

