

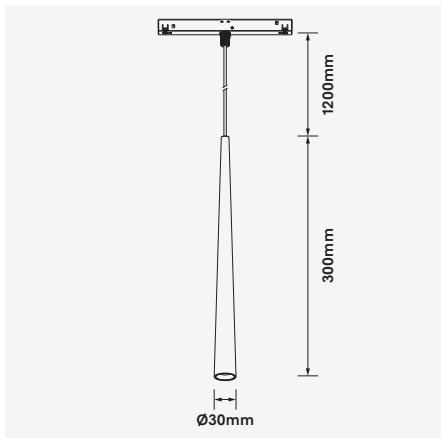
## Flint-PD30

### 3.5W Single Round 48VDC LED Pendant Track Luminaire



Luminaire Finishes

- Black (BK)
- White/Black (WH/BK)
- Chrome/Black (CR/BK)
- Bronze/Black (BZ/BK)



WATTAGE 3.5W

VOLTAGE 48VDC

3-Step

Bluetooth

bati

CE

WARRANTY 5YR

18° / 22° / 32°

CRI (Ra) >90

IP 20

Track

Suspended

A 48VDC low voltage track system is synonymous with electrical safety, permitting greater flexibility and ease of use including installation. The luminaire can be installed and moved to any position without the need for turning off the power to the track. This is due to its low voltage input of 48VDC. No tools are required, the luminaires simply snap-lock into position, remaining in place until you want to remove or re-position the luminaire.

The elegant and minimalist design permits a range of micro luminaires ranging from spots, pendants and linear sources with many features. The system features simple on/off operation with additional dimming options to suit a number of protocols such as DALI or Bluetooth dimming. The system is designed to suit applications from residential through to retail and commercial. The Flint-PD30 is covered by a 5 year warranty.

- Luminaire wattage: 3.5W (System)
- Luminous flux: 239Lm<sup>2</sup>
- Luminaire efficacy: 79.66Lm/W<sup>1</sup>
- Correlated colour temperature: 2700K, 3000K, 4000K
- Colour rendering index: >90<sup>3</sup>
- 3-Step-MacAdams Ellipse
- LED Brand: Bridgelux COB LED
- Optical distribution: 18°, 22°, 32°
- Ø30mm Trim x Length 300mm x 1200mm adjustable wire suspension
- Luminaire finishes: Black, White/Black, Chrome/Black, Bronze/Black
- Ingress protection rating: IP20
- Working voltage: 48VDC constant voltage
- Flicker free DC-DC internal driver
- Longevity: >50,000Hrs L80 B10
- Requires 48VDC remote driver and Track-System
- Dimming: DALI-2, BLE (Casambi) on request<sup>4</sup>
- Weight: 350g
- Warranty: 5 year<sup>5</sup>

Model	LED Output <sup>2</sup>	Luminous Flux <sup>2</sup>	System Wattage	CCT	CRI <sup>3</sup>	Distribution
FLINT-PD30-3.5W-3K	320Lm	239Lm	3.5W	3000K	>90	18°, 22°, 32°

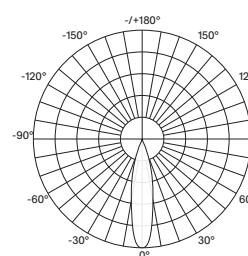
For Non-dimming add suffix ND  
For DALI-2 dimming add suffix D  
For BLUETOOTH dimming add suffix BT

Example product order code configuration: FLINT-PD30-3.5W-3K-18-D-(BK)

Model	Wattage	CCT	Distribution	Driver	Luminaire Finish
FLINT-PD30	3.5W	3K	18	D	BK

#### Light Distribution

FLINT-PD30-3.5W-3K-32



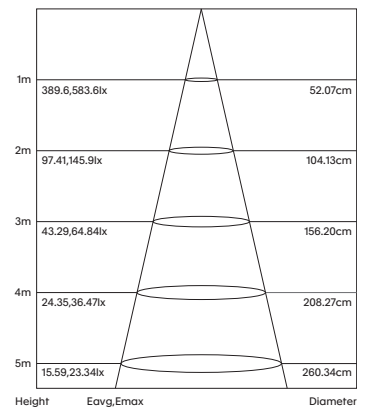
Light output ratio		
LOR	100%	
ULOR	0%	
DLOR	100%	
FFR	0.00 (0:100)	
BLF	1.00	

LUMINANCE cd/(m²)		
G(°)	C0/180	C90/270
85	0	0
80	0	0
75	0	0
70	2907	1710
65	7028	5494
60	13208	10572
55	23208	18903
50	33613	28822

Room Reflectance		Utilisation Factors									
Room	Index										
Ceiling	0.80	1.00	1.25	1.50	2.00	2.50	3.00	4.00	5.00		
Walls	70	87	92	97	100	103	105	107	109	111	
Floor	20										

#### Cone Diagram



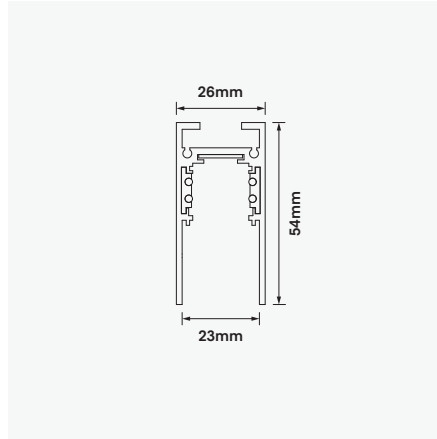
1 Luminaire efficacy based on CCT 3000K; CCT variation will alter efficacy  
 2 +/- 10% stated initial LED and luminous flux tolerance  
 3 Colour Rendering Index: >90 Standard (Bridgelux COB Series)  
 4 Additional charges apply for non-standard colour/s and dimming options  
 5 Five year manufacturer's warranty covering product defects and performance deficiencies

## Flint-PD30

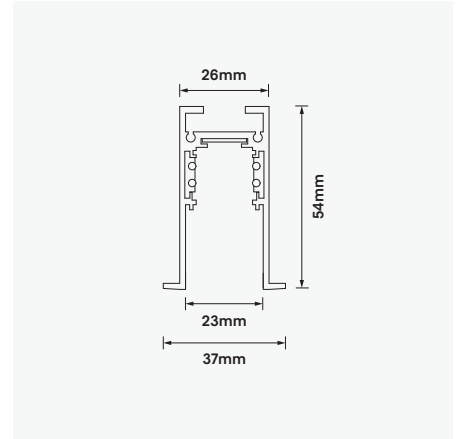
### 3.5W Single Round 48VDC LED Pendant Track Luminaire

#### 48VDC TRACK-SYSTEM track options

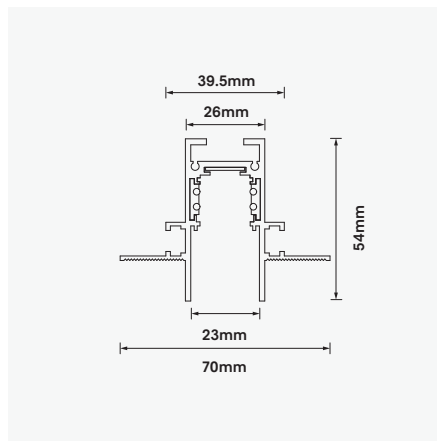
Surface / Suspended Track  
Product No: TR-SM26  
Colour: Black  
Size: W26mm x H54mm



Recessed Track  
Product No: TR-REC26  
Colour: Black  
Size: W37mm x H54mm



Recessed Trimless Track  
Product No: TR-TL26  
Colour: Black  
Size: W70mm x H54mm



- 1 Luminaire efficacy based on CCT 3000K; CCT variation will alter efficacy
- 2 +/- 10% stated initial LED and luminous flux tolerance
- 3 Colour Rendering Index: >90 Standard (Bridgelux COB Series)
- 4 Additional charges apply for non-standard colour/s and dimming options
- 5 Five year manufacturer's warranty covering product defects and performance deficiencies