

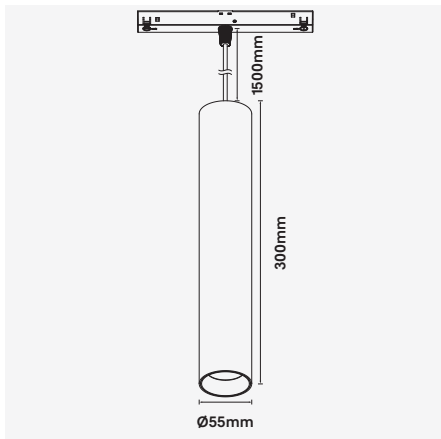
## Quasar-2-PD55

### 15W Single Round 48VDC Pendant LED Track Luminaire



Luminaire Finishes

Black (BK)
  White (WH)
  Bronze (BZ)



WATTAGE 15W

VOLTAGE 48VDC

3-Step

Bluetooth

WARRANTY 5YR

15° / 24° / 38°

CRI (Ra) >90

IP 20

Track

Suspended

A 48VDC low voltage track system is synonymous with electrical safety, permitting greater flexibility and ease of use including installation. The luminaire can be installed and moved to any position without the need for turning off the power to the track. This is due to its low voltage input of 48VDC. No tools are required, the luminaires simply snap-lock into position, remaining in place until you want to remove or re-position the luminaire.

The elegant and minimalist design permits a range of micro luminaires ranging from spots, pendants and linear sources with many features. The system features simple on/off operation with additional dimming options to suit a number of protocols such as DALI or Bluetooth dimming. The system is designed to suit applications from residential through to retail and commercial. The Quasar-2-PD55 is covered by a 5 year warranty.

- Luminaire wattage: 15W (System)
- Luminous flux: 1125Lm<sup>2</sup>
- Luminaire efficacy: 75Lm/W<sup>1</sup>
- Correlated colour temperature: 2700K, 3000K, 4000K
- Colour rendering index: >90<sup>3</sup>
- 3-Step-MacAdams Ellipse
- LED Brand: Bridgelux COB LED
- Optical distribution: 15°, 24°, 38°
- Ø55mm Trim x 300mm Length x 1500mm Adjustable Wire Suspension
- Luminaire finishes: Black, White, Bronze
- Ingress protection rating: IP20
- Working voltage: 48VDC constant voltage
- Flicker free DC-DC internal driver
- Longevity: >50,000Hrs L80 B10
- Requires 48VDC remote driver and Track-System
- Dimming: DALI-2, BLE (Casambi) on request<sup>4</sup>
- Weight: 645g
- Warranty: 5 year<sup>5</sup>

Model	LED Output <sup>2</sup>	Luminous Flux <sup>2</sup>	System Wattage	CCT	CRI <sup>3</sup>	Distribution
QUASAR-2-PD55-15W-3K	1396Lm	1125Lm	15W	3000K	>90	15°, 24°, 38°

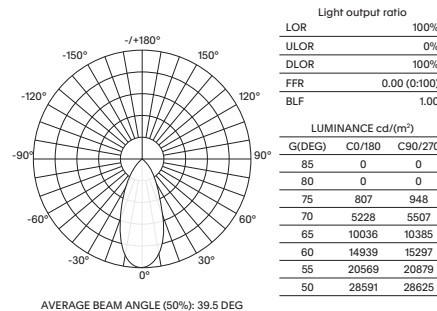
For Non-dimming add suffix ND  
For DALI-2 dimming add suffix D  
For BLUETOOTH dimming add suffix BT

Example product order code configuration: QUASAR-2-PD55-15W-3K-24-ND-(BK)

Model	Wattage	CCT	Distribution	Driver	Luminaire Finish
QUASAR-2-PD55	15W	3K	24	ND	BK

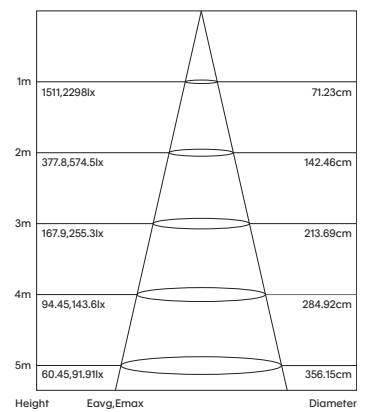
#### Light Distribution

QUASAR-2-PD55-15W-3K-38



		Utilisation Factors									
		Room Index									
Room Reflectance		0.80	1.00	1.25	1.50	2.00	2.50	3.00	4.00	5.00	
Ceiling	70	90	94	99	101	104	106	107	110	111	
Walls	50										
Floor	20										

#### Cone Diagram



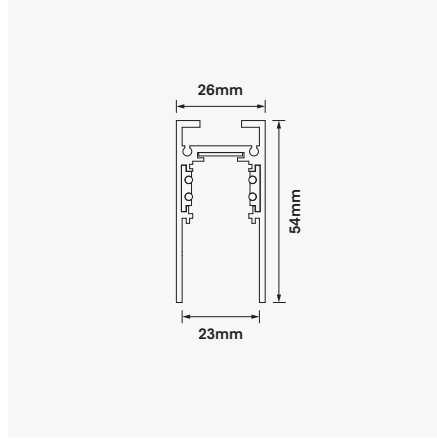
1 Luminaire efficacy based on CCT 3000K; CCT variation will alter efficacy  
 2 +/- 10% stated initial LED and luminous flux tolerance  
 3 Colour Rendering Index: >90 Standard (Bridgelux COB Series)  
 4 Additional charges apply for non-standard colour/s and dimming options  
 5 Five year manufacturer's warranty covering product defects and performance deficiencies

## Quasar-2-PD55

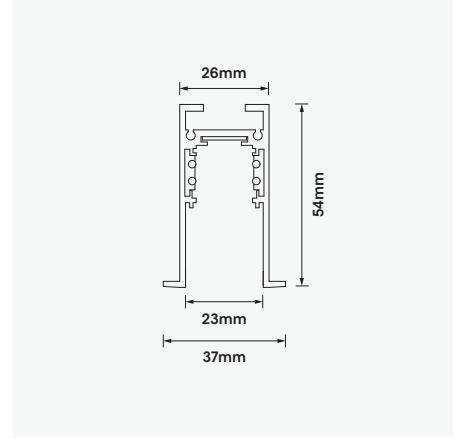
### 15W Single Round 48VDC Pendant LED Track Luminaire

#### 48VDC TRACK-SYSTEM track options

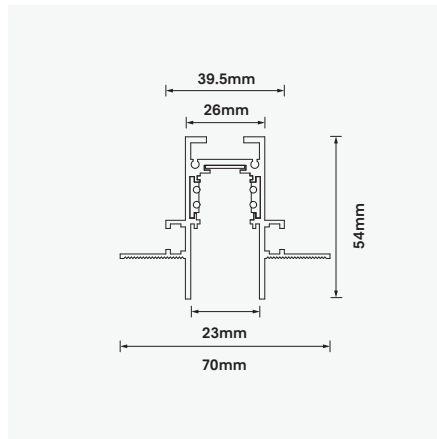
Surface / Suspended Track  
Product No: TR-SM26  
Colour: Black  
Size: W26mm x H54mm



Recessed Track  
Product No: TR-REC26  
Colour: Black  
Size: W37mm x H54mm



Recessed Trimless Track  
Product No: TR-TL26  
Colour: Black  
Size: W70mm x H54mm



- 1 Luminaire efficacy based on CCT 3000K; CCT variation will alter efficacy
- 2 +/- 10% stated initial LED and luminous flux tolerance
- 3 Colour Rendering Index: >90 Standard (Bridgelux COB Series)
- 4 Additional charges apply for non-standard colour/s and dimming options
- 5 Five year manufacturer's warranty covering product defects and performance deficiencies