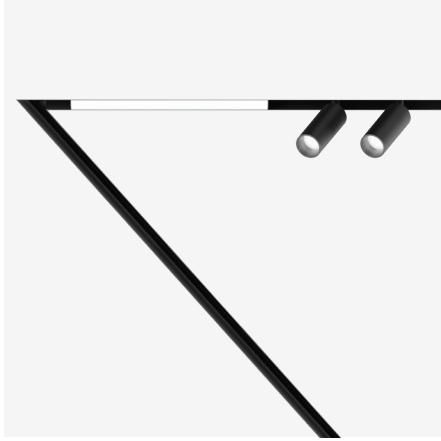


## TR-TL26

### 48VDC Trimless Track System

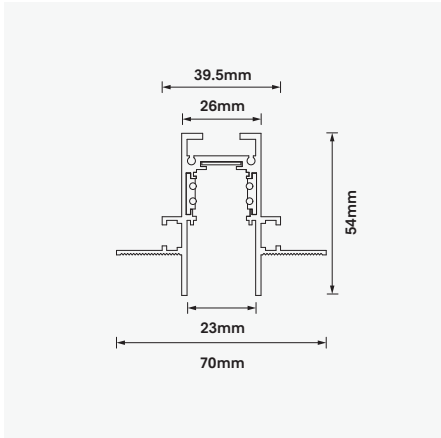


Track Finish

Black (BK)

#### Recessed Trimless Track

Product No: TR-TL26  
Colour: Black  
Size: W70mm x H54mm  
Weight: 1.550kgs/m



VOLTAGE 48VDC

Recessed



Bluetooth



WARRANTY 5YR

Track

IP 20

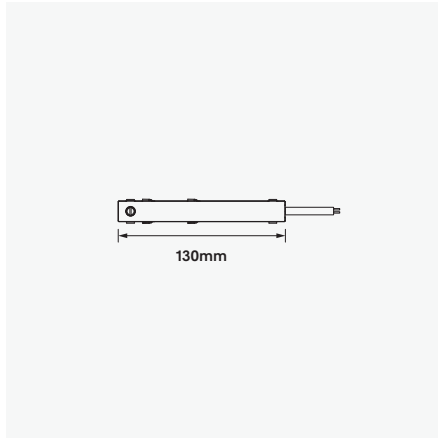
The 48VDC low voltage track system is synonymous with electrical safety, permitting greater flexibility and ease of use including installation. The luminaire can be installed and moved to any position without the need for turning off the power to the track. This is due to its low voltage input of 48VDC. No tools are required, the luminaires simply snap-lock into position, remaining in place until you want to remove or re-position the luminaire.

The elegant and minimalist design permits a range of micro luminaires ranging from spots, pendants and linear sources with many features. The system features simple on/off operation with additional dimming options to suit a number of protocols such as, DALI or Bluetooth dimming. The system is designed to suit applications from residential through to retail and commercial. The 48VDC Track system is covered by a 5 year warranty.

- Mounting: Recessed mounting (Trimless)
- Construction: Extruded 6063T grade aluminium mounting profile
- Finish options: Matt Black surface finish standard
- Accessories: End caps, joiners and corners configuration dependant
- Length (max.) 3000mm x Width 70mm x Height 54mm
- Ingress Protection Rating: IP20
- Specifically designed for 48VDC Spots,
- Linear and Pendants
- Compatible with on/off operation, DALI and BLE dimming protocols
- Weight: 1.55kgs/m (excluding driver & accessories)
- Warranty: 5 year!

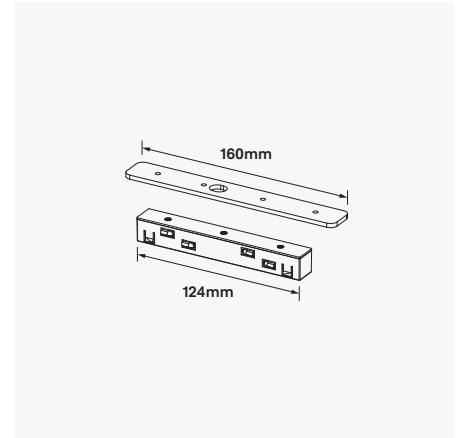
#### Power Feed Unit

Product No: TR-26-PF-1M  
Colour: Black  
Size: W16mm x H17mm x L130mm  
Weight: 9g



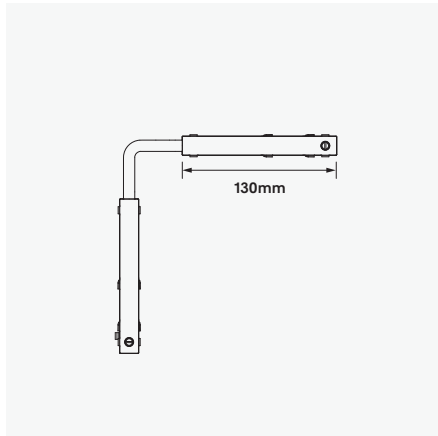
#### Power Straight Joiner

Product No: TR-26-PJ  
Colour: Black  
Size: W16mm x H17mm x L124mm  
Weight: 105g



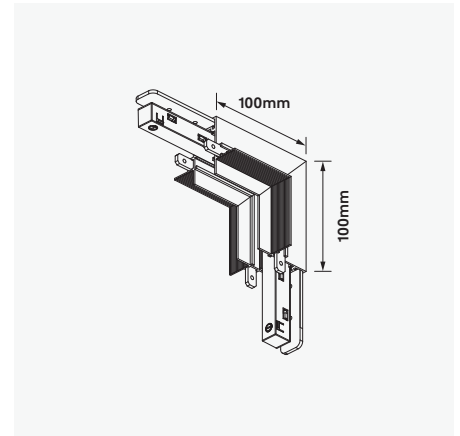
#### Power Flexible Joiner

Product No: TR-26-FJ  
Colour: Black  
Size: W16mm x H17mm x L130mm  
Weight: 53g



#### Recessed Trimless Corner-V

Product No: TR-TL26-CNR-V  
Colour: Black  
Size: L100mm x 100mm (W26mm x H54mm)  
Weight: 355g

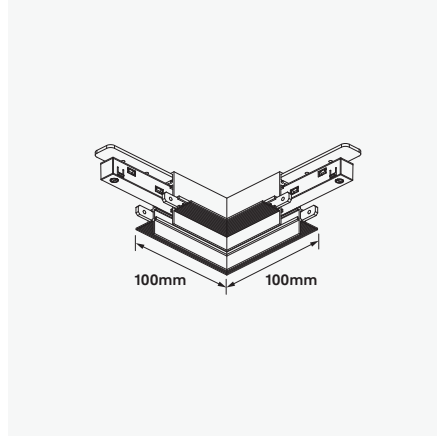


## TR-TL26

### 48VDC Trimless Track System

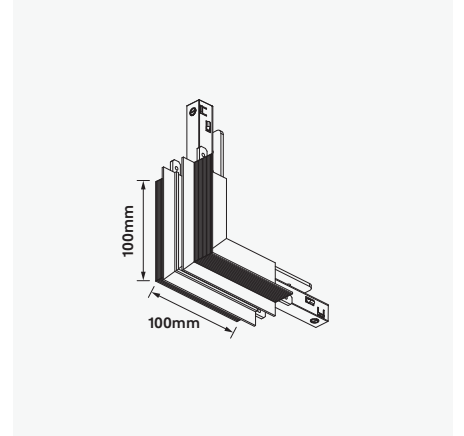
#### Recessed Trimless Corner-H

Product No: TR-TL26-CNR-H  
Colour: Black  
Size: L100mm x 100mm (W26mm x H54mm)  
Weight: 390g



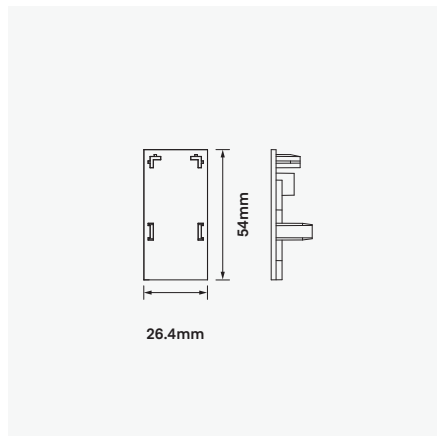
#### Recessed Trimless Corner-E

Product No: TR-TL26-CNR-E  
Colour: Black  
Size: L100mm x 100mm (W26mm x H54mm)  
Weight: 395g



#### Surface / Trimless End Cap

Product No: TR-SM26-EC (PR)  
Colour: Black  
Size: W26.4mm x H54mm x D2mm  
Weight: 10.4g



#### Bluetooth Wireless Module

Product No: TR-BLE-DALIGATE  
Colour: Black  
Size: W17mm x H54mm x L143mm  
Weight: 62g

