

Kuppel-SM150

18W / 25W Fixed Surface/ Suspended Mount Downlight

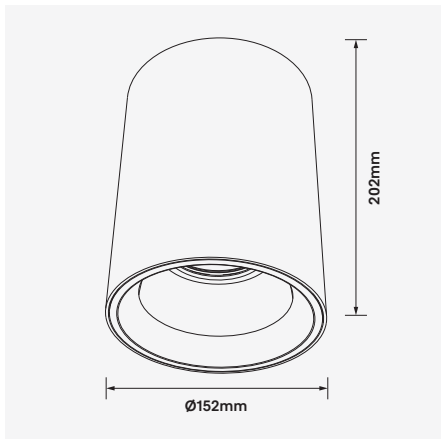


Luminaire Finishes

White (WH) Black (BK) Custom

Interchangeable Baffle Finishes

White (WH) Black (BK) Custom
 Matt (MT)

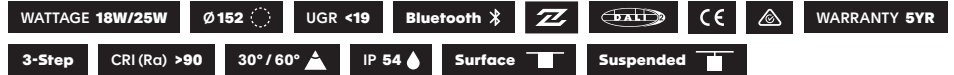


Accessories

WS-SM150
Wire Suspension



RS-SM150
Rod Suspension



Surface mount LED architectural luminaire series providing optimised and efficient performance with an IP54 rating and deep-set lamp source for symmetrical low glare distribution. Available in a range of dimming options with either surface or suspension mounting.

With a die-cast aluminium housing and aluminium reflector it is available in standard and customisable finishes. Integrating Zhaga compliant Citizen LED technology, the Kuppel-SM150 comes with a 5 year warranty.

- Luminaire Wattage: 18W, 25W (System 21W, 28W)
- Luminous Flux: 2000-2500Lm, 2700-3300Lm²
- Luminaire efficacy: 127.77Lm/W, 124Lm/W¹
- Correlated colour 3000K, 4000K
- Colour rendering index: >90³
- Mac-Adams Ellipse: 3-SCDM
- LED brand: Citizen COB LED
- Glare control: UGR<19
- Symmetrical distribution: 30°, 60°
- Outer trim Ø152mm x Height 202mm
- Ingress protection rating: IP54 (front of luminaire)
- Luminaire finishes: White, Black, Custom optional⁴
- Baffle options: White, Black, Matt, Custom optional⁴
- Longevity: >50,000Hrs L80 B10
- Driver: Integral Tridronic non-dimmable LED driver as standard
- Dimming: DALI-2, BLE (basicDIM Wireless / Casambi) on request⁴
- Weight: 1.95Kg (including driver)
- Warranty: 5 years⁵

Model	LED Output ²	Luminous Flux ²	LED Wattage	System Wattage	CCT	CRI ³	Distribution
KUPPEL-SM150-18W-3K-30	2800Lm	2300Lm	18W	21W	3000K	>90	30°
KUPPEL-SM150-18W-4K-30	3000Lm	2500Lm	18W	21W	4000K	>90	30°
KUPPEL-SM150-18W-3K-60	3000Lm	2000Lm	18W	21W	3000K	>90	60°
KUPPEL-SM150-18W-4K-60	3200Lm	2200Lm	18W	21W	4000K	>90	60°
KUPPEL-SM150-25W-3K-30	3800Lm	3100Lm	25W	28W	3000K	>90	30°
KUPPEL-SM150-25W-4K-30	4000Lm	3300Lm	25W	28W	4000K	>90	30°
KUPPEL-SM150-25W-3K-60	3800Lm	2700Lm	25W	28W	3000K	>90	60°
KUPPEL-SM150-25W-4K-60	4000Lm	2900Lm	25W	28W	4000K	>90	60°

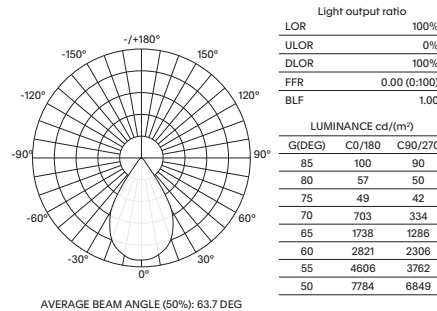
For Non-dimming add suffix ND
For DALI-2 dimming add suffix D
For BLUETOOTH dimming add suffix BT

Example product order code configuration: KUPPEL-SM150-25W-3K-60-D-(WH/SP)

Model	Wattage	CCT	Distribution	Driver	Luminaire Finish / Baffle Finish
KUPPEL-SM150	25W	3K	60	D	WH/SP

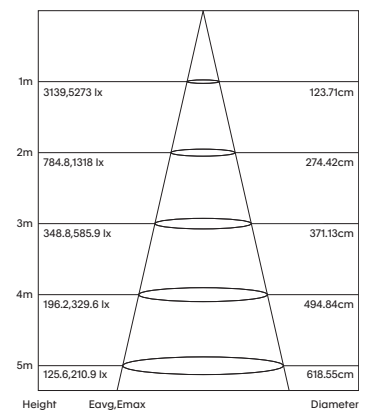
Light Distribution

KUPPEL-SM150-25W-3K-60



Room Reflectance	Utilisation Factors										
	Ceiling			Walls			Floor				
	0.80	1.00	1.25	1.50	2.00	2.50	3.00	4.00	5.00		
70	70	50	20	89	93	98	101	104	105	107	110

Cone Diagram



1 Luminaire efficacy based on CCT 3000K; CCT variation will alter efficacy
2 +/- 10% stated initial LED and luminous flux tolerance
3 Colour Rendering Index: >90 Standard (Citizen COB series)
4 Charges apply for non-standard colour/s and dimming options
5 Five year manufacturer's warranty covering product defects and performance deficiencies