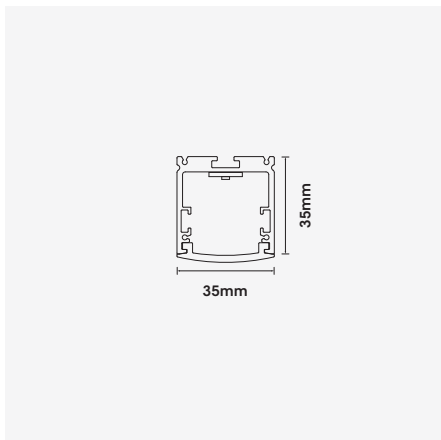


Zen-35

25W-94W Suspended Circular Direct Illumination Luminaire



Luminaire Finishes



Options

Wire Suspension Kit (WSUS)

Part No: SUSKIT-3M-SIL
Colour: Silver
Length: 3m Adjustable



Wire Suspension Kit (WSUS)

Part No: SUSKIT-3M-BLK
Colour: Black
Length: 3m Adjustable



WATTAGE 25W - 94W
CRI (Ra) >90
Bluetooth
IP 40
Suspended
VOLTAGE 240VAC
3-Step
110°
WARRANTY 5YR

Zen luminaires are a series of circular, oval and angular shaped luminaires that are able to be suspended, surface mounted or trimless recessed. Available in a range of sizes, they provide creative lighting possibilities for a range of applications and spaces including high end residential projects through to hotel lobbies and commercial spaces.

Custom made, it can be manufactured from diameters as small as 400mm through to sizes as large as 5000mm with custom aluminium extrusions and high end surface finishings available to suit a variety of interior spaces.

The Zen uses quality components from leading brands such as Osram Opto Semiconductors for the LED and Tridonic for the LED driver. The Zen series is covered by a 5 year warranty.

- Luminaire wattage: 25W-94W (System)
- Luminous flux: 2150-8084Lm²
- Luminaire efficacy: 86Lm/W¹
- Correlated colour temperature: 3000K, 4000K
- Colour rendering index: >90³
- Mac-Adams Ellipse: 3-SDCM
- LED type: Osram SMD LED
- Symmetrical distribution: 110°
- Outer trim Ø400-1500mm x Width 35mm x Height 35mm
- Mounting: Suspended; 3mtr adjustable
- Ingress protection rating: IP40
- Luminaire finishes: White, Black, Silver, Golden Bronze, Bronze, Champagne Gold; Custom optional⁴
- Longevity: >50,000Hrs L80 B20
- Driver: Non dimmable as standard
- Dimming: DALI-2, BLE (basicDIM Wireless / Casambi) on request⁴
- Weight: Ø400mm 2kg, Ø600mm 2.5kg, Ø800mm 3kg, Ø1000mm 4kg, Ø1200mm 5kg, Ø1500mm 6kg (Exc. remote non-dimmable driver)
- Warranty: 5 years⁵

Model	Luminous Flux ²	System Wattage	CCT	CRI ³	Distribution
ZEN-35-D40-25W-3K	2,150Lm	25W	3000K	>90	110°
ZEN-35-D60-38W-3K	3,268Lm	38W	3000K	>90	110°
ZEN-35-D80-50W-3K	4,300Lm	50W	3000K	>90	110°
ZEN-35-D100-63W-3K	5,418Lm	63W	3000K	>90	110°
ZEN-35-D120-75W-3K	6,450Lm	75W	3000K	>90	110°
ZEN-35-D150-94W-3K	8,084Lm	94W	3000K	>90	110°

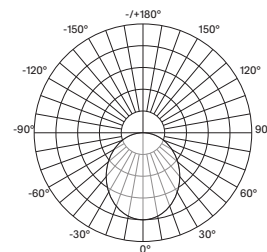
For Non-dimming add suffix ND
For DALI-2 dimming add suffix D
For BLUETOOTH dimming add suffix BT

Example product order code configuration: ZEN-35-D150-94W-3K-106-ND-(WH)

Model	Wattage	CCT	Distribution	Driver	Luminaire Finish
ZEN-35-D150	+ 94W	+ 3K	+ 106	+ ND	+ WH

Light Distribution

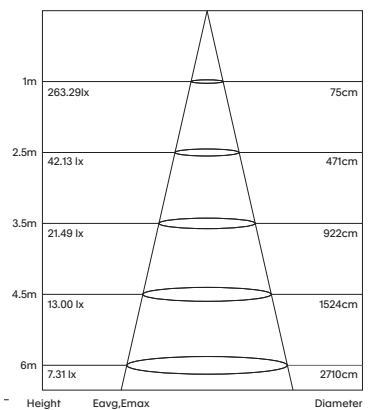
ZEN-35-D90-25W-3K



AVERAGE BEAM ANGLE (50%): 114.1 DEG

Room Reflectance	Utilisation Factors									
Ceiling Walls Floor	0.80	1.00	1.25	1.50	2.00	2.50	3.00	4.00	5.00	
-70 50 20	181	209	233	250	275	289	302	318	327	

Cone Diagram



1 Luminaire efficacy based on CCT 3000K; CCT variation will alter efficacy
2 +/- 5% stated initial LED and luminous flux tolerance
3 Colour Rendering Index: >90 (Osram SMD Standard)
4 Additional charges apply for non-standard colour/s and dimming options
5 Five year manufacturer's warranty covering product defects and performance deficiencies