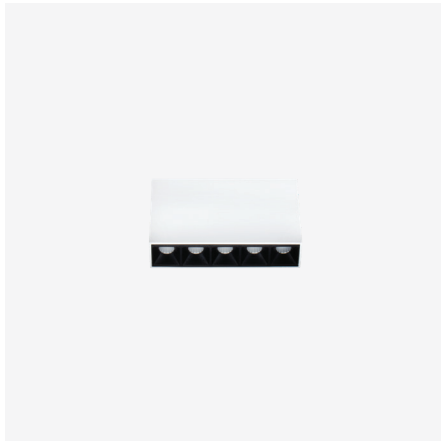


## Linie-SM5C

### 10W Fixed Surface Mount Linear Downlight

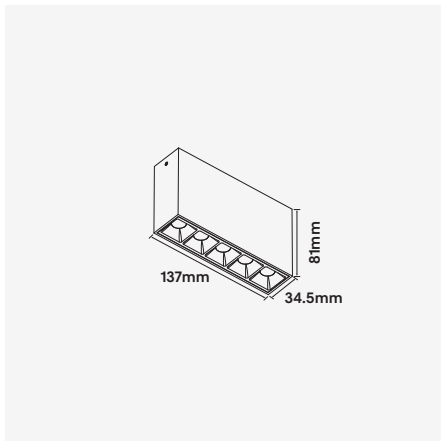


Luminaire Finishes

White (WH)  Black (BK)

#### Interchangeable Baffle Finishes

White (WH)  Black (BK)  Gold (GD)  
 Specular (SP)  Rose Gold (RG)



#### Accessories

**LINIE-SM-REC-LENS**  
Product No: LINIE-REC-LENS  
Rectangular Distribution



**LINIE-SM-SQR-LENS**  
Product No: LINIE-SQR-LENS  
Square Distribution



WATTAGE 10W
UGR <19
CRI (Ra) >90
Bluetooth
Z
ball
CE
WARRANTY 5YR

3-Step
15° / 30° / 45°
IP 20
Surface

Fixed, surface mounted, LED architectural downlight series provides symmetrical, low-glare light distribution within a compact, linear housing. Available in a variety of baffle finishes to suit different applications and interior spaces.

Comes quality constructed using a die-cast aluminium structure with high grade polycarbonate secondary baffle optics. Integrating Bridgelux LED technology with a quality branded control gear, the Linie series comes with a 5 year warranty.

- Luminaire wattage: 10W (System 12W)
- Luminous flux: 660-885Lm<sup>2</sup>
- Luminaire efficacy: 67.5Lm/W<sup>1</sup>
- Correlated colour temperature: 2700K, 3000K, 4000K
- Colour rendering index: >90<sup>3</sup>
- Mac-Adams Ellipse: 3-SDCM
- LED brand: Bridgelux SMD LED
- Glare control: <19
- Symmetrical distribution: 15°, 30°, 45°  
Square and rectangular optics optional<sup>4</sup>
- Outer trim: Width 34.5mm x Length 137mm x Height 81mm
- Ingress protection rating: IP20
- Luminaire finishes: White, Black
- Baffle options: Black, White, Specular, Gold, Rose Gold
- Longevity: >50,000Hrs L80 B10
- Driver: Non-dimmable as standard
- Dimming: Remote DALI-2, BLE (basicDIM Wireless / Casambi) on request<sup>4</sup>
- Weight: 735g (inc. non-dimmable driver)
- Warranty: 5 years<sup>5</sup>

Model	LED Output <sup>2</sup>	Luminous Flux <sup>2</sup>	LED Wattage	System Wattage	CCT	CRI <sup>3</sup>	Distribution
LINIE-SM5C-10W-27K	980Lm	660Lm	10W	12W	2700K	>90	15°, 30°, 45°
LINIE-SM5C-10W-3K	1100Lm	810Lm	10W	12W	3000K	>90	15°, 30°, 45°
LINIE-SM5C-10W-4K	1180Lm	885Lm	10W	12W	4000K	>90	15°, 30°, 45°

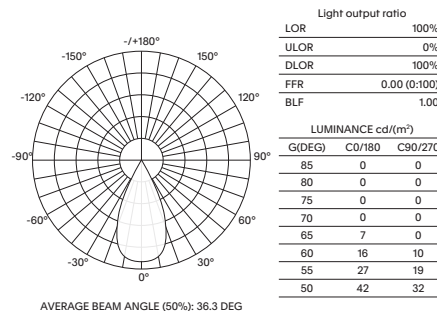
For Non-dimming add suffix ND  
For DALI-2 dimming add suffix D  
For BLUETOOTH dimming add suffix BT

Example product order code configuration: LINIE-SM5C-10W-3K-45-ND-(WH/BK)

Model	Wattage	CCT	Distribution	Driver	Luminaire Finish / Baffle Finish
LINIE-SM5C	10W	3K	45	ND	WH/BK

#### Light Distribution

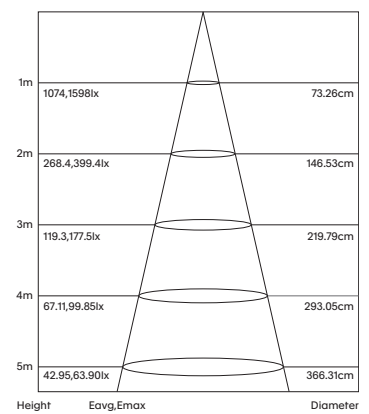
LINIE-SM5C-10W-3K-30



Utilisation Factors

Room Reflectance	Room Index											
Ceiling   Walls   Floor	0.80	1.00	1.25	1.50	2.00	2.50	3.00	4.00	5.00	70	50	20
	92	96	100	102	105	106	108	110	112			

#### Cone Diagram



1 Luminaire efficacy based on CCT 3000K; CCT variation will alter efficacy  
2 +/- 10% stated initial LED and luminous flux tolerance  
3 Colour Rendering Index: >90 Standard (Bridgelux SMD Series)  
4 Charges apply for non-standard colour/s and dimming options  
5 Five year manufacturer's warranty covering product defects and performance deficiencies