

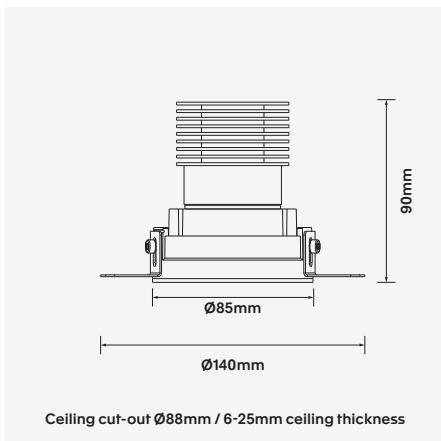
Smooth-FT88

10W / 12W Fixed LED Trimless Recessed Downlight



Luminaire Finishes

White (WH) Black (BK)



Ceiling cut-out Ø88mm / 6-25mm ceiling thickness

WATTAGE 10W / 12W
Ø88
UGR <19
Bluetooth
Z
CE
WARRANTY 5YR

3-Step
CRI (Ra) >90
40° / 60°
IP 44
MAINS DIM

LED ceiling recessed luminaire providing symmetrical, low-glare light distribution. Smooth-FT88 downlight offers optimised performance with a high colour rendering index as standard in a minimal designed housing. The Smooth-FT88 is high powered and compact, suitable for a range of applications including residential and commercial spaces. A deep-set lamp source ensures optimal glare free performance across a variety of general indoor applications.

Smooth utilises Zhaga compliant CREE COB technology. With a standard mains dimmable LED driver with a selection of DALI-2 and Bluetooth (Casambi) dimming options on request. Smooth offers a 5 year warranty.

- Luminaire wattage: 10W, 12W (System 12W, 14W)
- Luminous flux: 994Lm, 1159Lm²
- Luminaire efficacy: 82.82Lm/W¹
- Correlated colour temperature: 3000K, 4000K
- Colour rendering index: >90³
- Mac-Adams Ellipse: 3-SDCM
- LED Brand: CREE COB LED
- Glare control: UGR<19
- Symmetrical distribution: 40°, 60°
- Outer trim Ø85mm; Ceiling cut-out Ø88mm
- Ingress protection rating: IP44 standard (From underside)
- Luminaire finishes: White, Black
- Longevity: >50,000Hrs L80 B10
- Driver: Mains dimmable LED driver as standard
- Dimming: DALI-2, BLE (basicDIM Wireless / Casambi) on request⁴
- Weight: 300g (excluding driver)
- Warranty: 5 years⁵

Model	Luminous Flux ²	LED Wattage	System Wattage	CCT	CRI ³	Distribution
SMOOTH-FT88-10W-3K	994Lm	10W	12W	3000K	>90	40°, 60°
SMOOTH-FT88-12W-3K	1159Lm	12W	14W	3000K	>90	40°, 60°

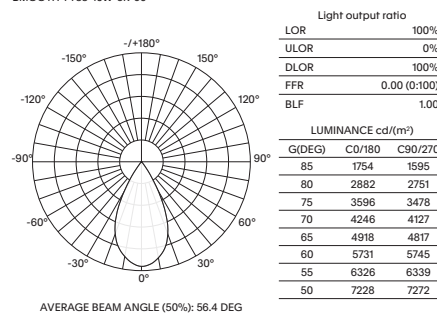
For Mains dimming add suffix MD
For DALI-2 dimming add suffix D
For BLUETOOTH dimming add suffix BT

Example product order code configuration: SMOOTH-FT88-10W-3K-60-D-(WH)

Model	Wattage	CCT	Distribution	Driver	Luminaire Finish
SMOOTH-FT88	10W	3K	60	D	WH

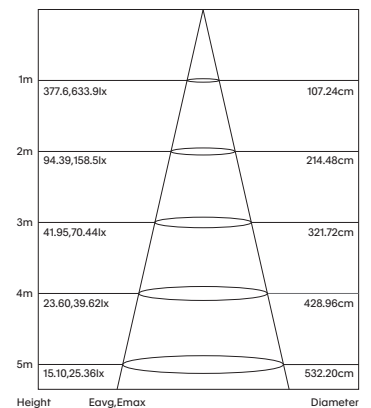
Light Distribution

SMOOTH-FT88-10W-3K-60



Room Reflectance		Utilisation Factors									
Ceiling	Walls Floor	Room Index									
0.80	1.00 1.25	1.5	2.00	2.50	3.00	4.00	5.00				
70	50 20	87	92	96	99	102	104	106	109	111	

Cone Diagram



1 Luminaire efficacy based on CCT 3000K; CCT variation will alter efficacy
 2 +/- 10% stated initial LED and luminous flux tolerance
 3 Colour Rendering Index: >90 Standard (CREE COB Series)
 4 Additional charges apply for non-standard colour/s and dimming options
 5 Five year manufacturer's warranty covering product defects and performance deficiencies