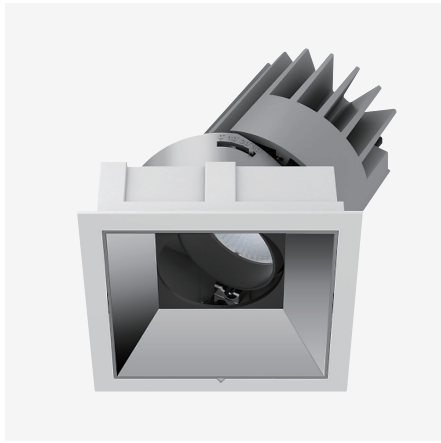


Recco-A125S

18W / 25W Adjustable LED Square Recessed Downlight

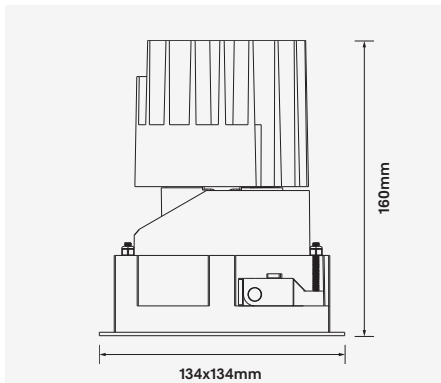


Luminaire Finishes

White (WH) Black (BK)

Interchangeable Baffle Finishes

White (WH) Black (BK) Matt (MT)
 Specular (SP) Black Chrome (BC)
 Gold (GD)



Ceiling cut-out 122mm x 122mm / 6-25mm ceiling thickness

Accessories

RECCO-125S-HC
Honeycomb mesh



RECCO-125S-TR
Trimless



WATTAGE 18W / 25W	COI ON REQUEST	Bluetooth	Z	ball	CE	WARRANTY 5YR
3-Step	122 x 122	20° / 40° / 50°	355° 30°	CRI (Ra) >90	IP 20	UGR <19

Adjustable recessed LED architectural luminaire series providing low-glare light distribution with a unique mechanism for uniform and precise angle adjustment and spring-load pushback for easy installation. Driven by high quality and versatile design, the Recco adjustable LED downlight series offers optimised and efficient performance with a vast range of cut-out and wattage/lumen packages. It is available in a range of colour temperatures, beam angles and secondary reflector finishes to suit a multitude of applications.

Recco offers various dimming options and an additional anti-glare honeycomb reflector accessory. The fitting is made from a die-cast aluminium housing with high purity aluminium primary reflector and high-grade polycarbonate secondary reflector. Integrating Zhaga compliant Citizen LED technology with Tridonic control gear, the Recco-A series offers a 5 year warranty.

- Luminaire wattage: 18W / 25W (System 21W / 28W)
- Luminous flux: 1300-1400Lm, 1700-1800Lm²
- Luminaire efficacy: 72.22Lm/W, 68Lm/W¹
- Correlated colour temperature: 3000K, 4000K
- Colour rendering index: >90 standard; >97/COI on request³
- Mac-Adams Ellipse: 3-SDCM
- LED brand: Citizen COB LED
- Glare control: UGR<19
- Symmetrical distribution: 20°, 40°, 50°
- Outer Trim L134mm x W134mm;
- Ceiling cut-out W122mm x L122mm
- Adjustability: ±30° Tilt, 355° Rotation
- Ingress protection rating: IP20
- Luminaire finishes: White, Black
- Baffle Options: White, Black, Matt, Specular, Black Chrome, Gold⁴
- Longevity: >50,000Hrs L80 B10
- Driver: Tridonic non-dimmable as standard
- Dimming: DALI-2, BLE (basicDIM Wireless / Casambi) on request⁴
- Weight: 870g (excluding driver)
- Warranty: 5 years⁵

Model	LED Output ²	Luminous Flux ²	LED Wattage	System Wattage	CCT	CRI ³	Distribution
RECCO-A125S-18W-3K	2000Lm	1300Lm	18W	21W	3000K	>90	20°, 40°, 50°
RECCO-A125S-18W-4K	2100Lm	1400Lm	18W	21W	4000K	>90	20°, 40°, 50°
RECCO-A125S-25W-3K	2600Lm	1700Lm	25W	28W	3000K	>90	20°, 40°, 50°
RECCO-A125S-25W-4K	2700Lm	1800Lm	25W	28W	4000K	>90	20°, 40°, 50°

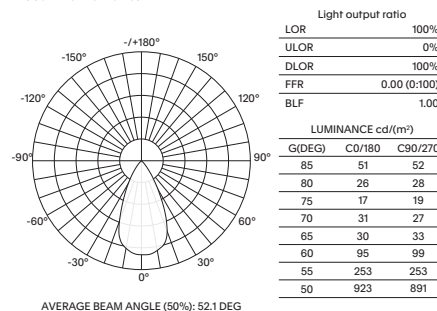
For Non dimming add suffix ND
 For DALI-2 dimming add suffix D
 For BLUETOOTH dimming add suffix BT

Example product order code configuration: RECCO-A125S-25W-3K-50-D-(WH/SP)

Model	Wattage	CCT	Distribution	Driver	Luminaire Finish / Baffle Finish					
RECCO-A125S	+	25W	+	3K	+	50	+	D	+	WH/SP

Light Distribution

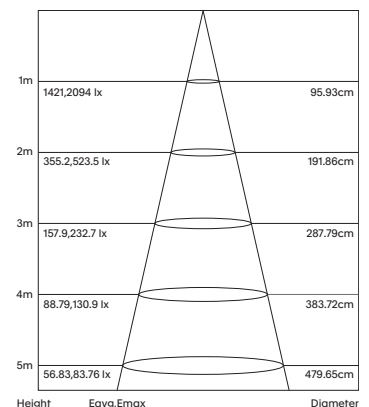
RECCO-A125S-25W-3K-50



AVERAGE BEAM ANGLE (50%): 52.1 DEG

Room Reflectance		Utilisation Factors												
Ceiling	Walls	Floor	Room Index											
0.80	1.00	1.25	1.50	2.00	2.50	3.00	4.00	5.00						
70	50	20	90	94	98	101	104	106	107	110	111			

Cone Diagram



1 Luminaire efficacy based on CCT 3000K; CCT variation will alter efficacy
 2 +/- 10% stated initial LED and luminous flux tolerance
 3 Colour Rendering Index: >90 Standard (Citizen COB Series), >97/Cyanosis Observation Index (COI) compliance on request; Citizen LED series compliant to AS/NZS1680.2.5:2018; COI <3.3 and CCT 3300-5300K
 4 Additional charges apply for non-standard colour/s and dimming options
 5 Five year manufacturer's warranty covering product defects and performance deficiencies