

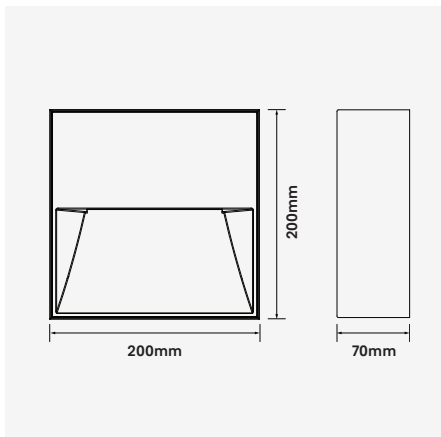
## Rasta-WL-SM

### 5W / 7W / 8.5W / 10.5W / 13W / 18W Asymmetrical Surface Mounted Wall Luminaire



Luminaire Finishes

■ Black (BK)    ■ Dark Grey (DG)



**WATTAGE 5W / 7W / 8.5W / 10.5W / 13W / 18W**    **CRI (Ra) >80**    **3-Step**    **200 x 200**    **IK 09**    **IP 66**    **VOLTAGE 240VAC**    **VOLTAGE 24VDC**    **Asymmetrical**  
**Low Glare**    **Wall Mount**

Rasta is a part of CoLab's step and pathway luminaires, providing low glare and optimal illumination across a variety of landscape, step and pathway applications. Using a minimal design and an IP66 rating and a IK09 impact rating. Composed from aluminium components, a PC lens and an engineered plastic housing for excellent weather resistance.

Rasta provides both 24VDC and 240VAC to suit a varied range of installation types. Optional DALI dimming. Rasta-WL series comes with a 5 year warranty.

- Luminaire wattage: 5W, 7W, 8.5W, 10.5W, 13W, 18W (System 6W, 10W, 12W, 15W, 20W)
- Luminous flux: 330Lm, 432Lm, 523Lm, 623Lm, 812Lm, 1000Lm<sup>2</sup>
- Luminaire efficacy: 55Lm/W, 43.2Lm/W, 44.33Lm/W, 62.46Lm/W, 50Lm/W<sup>1</sup>
- Correlated colour temperature: 3000K, 4000K
- Colour rendering index: >80<sup>3</sup>
- Mac-Adams Ellipse: 3-SDCM
- LED brand: Samsung SMD
- Direct light output ratio (LOR): 100%
- Upward light output ratio (ULOR): 0.0%
- Asymmetrical distribution
- Trim Length 200mm x Width 200mm x Depth 70mm
- Ingress protection rating: IP66
- Impact protection rating: IK09
- Luminaire finishes: Black (RAL9005), Dark Grey (RAL7024)
- Longevity: >50,000Hrs L80 B10
- Driver: 240VAC (Non-dimmable), 24VDC (Non-dimmable) requires remote LED driver
- Dimming: DALI; Requires 24VDC DALI dimmable driver
- Weight: 1.65Kgs (Integral driver 240VAC)
- Warranty: 5 years<sup>5</sup>

Model	LED Output <sup>2</sup>	Luminous Flux <sup>2</sup>	Wattage	System Wattage	CCT	CRI <sup>3</sup>	Distribution
RASTA-WL-SM-5W-3K	828Lm	330Lm	5W	6W	3000K	>80	Asymmetrical
RASTA-WL-SM-5W-4K	920Lm	363Lm	5W	6W	4000K	>80	Asymmetrical
RASTA-WL-SM-7W-3K	1053Lm	432Lm	7W	8W	3000K	>80	Asymmetrical
RASTA-WL-SM-7W-4K	1170Lm	475Lm	7W	8W	4000K	>80	Asymmetrical
RASTA-WL-SM-8.5W-3K	1260Lm	523Lm	8.5W	10W	3000K	>80	Asymmetrical
RASTA-WL-SM-8.5W-4K	1400Lm	575Lm	8.5W	10W	4000K	>80	Asymmetrical
RASTA-WL-SM-10.5W-3K	1512Lm	623Lm	10.5W	12W	3000K	>80	Asymmetrical
RASTA-WL-SM-10.5W-4K	1680Lm	685Lm	10.5W	12W	4000K	>80	Asymmetrical
RASTA-WL-SM-13W-3K	2070Lm	812Lm	13W	15W	3000K	>80	Asymmetrical
RASTA-WL-SM-13W-4K	2300Lm	893Lm	13W	15W	4000K	>80	Asymmetrical
RASTA-WL-SM-18W-3K	2736Lm	1000Lm	18W	20W	3000K	>80	Asymmetrical
RASTA-WL-SM-18W-4K	3040Lm	1100Lm	18W	20W	4000K	>80	Asymmetrical

For Low-Voltage add suffix 24V  
For Non-Dimming add suffix ND  
For DALI-2 dimming add suffix D

1 Luminaire efficacy based on CCT 3000K; CCT variations will alter efficacy  
2 +/- 5% stated initial LED and luminous flux tolerance  
3 Colour Rendering Index: >80 Standard (Samsung SMD Series)  
4 Additional charges apply for non-standard colour/s, dimming controls and 24VDC LED drivers  
5 Five year manufacturer's warranty covering product defects and performance deficiencies

## Rasta-WL-SM

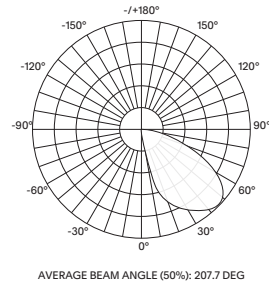
5W / 7W / 8.5W / 10.5W / 13W /  
18W Asymmetrical Surface  
Mounted Wall Luminaire

Example product order code configuration: RASTA-WL-SM-15W-3K-ASY-ND-(DG/240V)

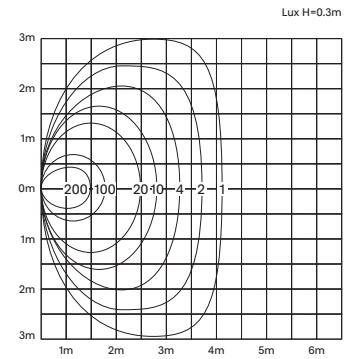
Model	Wattage	CCT	Distribution	Driver	Luminaire Finish / Voltage
RASTA-WL-SM	15W	3K	ASY	ND	DG/240V

### Light Distribution

RASTA-WL-SM-15W-3K-ASY



### Cone Diagram



- 1 Luminaire efficacy based on CCT 3000K; CCT variations will alter efficacy
- 2 +/- 5% stated initial LED and luminous flux tolerance
- 3 Colour Rendering Index: >80 Standard (Samsung SMD Series)
- 4 Additional charges apply for non-standard colour/s, dimming controls and 24VDC LED drivers
- 5 Five year manufacturer's warranty covering product defects and performance deficiencies