

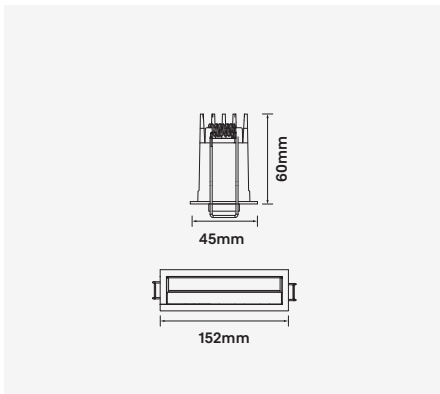
Linie-W5

11W Fixed Linear Wall Washer Recessed Downlight



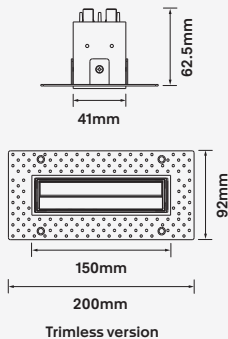
Luminaire Finishes

White (WH) Black (BK)



Ceiling cut-out W37 x L144mm / 6-25mm ceiling thickness

Optional LINIE-W5-11W



Ceiling cut-out W47 x L154mm / 6-25mm ceiling thickness

WATTAGE 11W
37 x 144
47 x 154
Bluetooth
CE
WARRANTY 5YR

3-Step
UGR <19
CRI (Ra) >90
IP 44
Recessed
WALL WASHER

Fixed recessed LED architectural wall washer series provides asymmetrical distribution with advanced optics in a compact, linear housing. Available in a trim or trimless option for a seamless look.

Quality constructed from a die-cast aluminium structure with a high grade extruded aluminium baffle. Integrating OSRAM LED technology with a TRIDONIC control gear, the Linie series offers a 5 year warranty.

- Luminaire wattage: 11W (System 13W)
- Luminous flux: 500-550Lm²
- Luminaire efficacy: 38.46Lm/W¹
- Correlated colour temperature: 3000K, 4000K
- Colour rendering index: >90³
- Mac-Adams Ellipse: 3-SDCM
- LED brand: Osram SMD LED
- Glare control: <19
- Symmetrical distribution: Asymmetrical
- Outer trim: Width 45mm x Length 152mm
- Ceiling cut-out Width 37mm x Length 144mm
- Ingress protection rating: IP44
- Luminaire finishes: White, Black
- Baffle options: Anodised aluminium⁴
- Longevity: >50,000Hrs L80 B10
- Driver: Tridonic non-dimmable LED driver as standard
- Dimming: DALI-2, BLE (basicDIM Wireless / Casambi) on request⁴
- Weight: 310g (inc. non-dimmable driver)
- Warranty: 5 years⁵

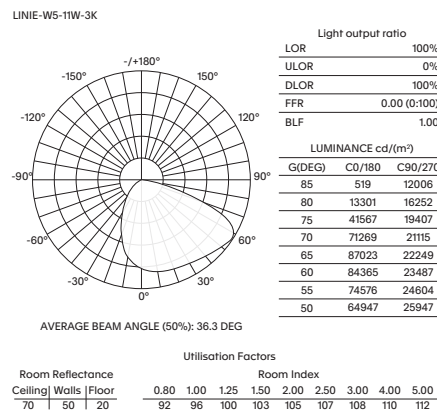
Model	LED Output ²	Luminous Flux ²	LED Wattage	System Wattage	CCT	CRI ³	Distribution
LINIE-W5-11W-3K	1050Lm	500Lm	11W	13W	3000K	>90	Asymmetrical
LINIE-W5-11W-4K	1100Lm	550Lm	11W	13W	4000K	>90	Asymmetrical

For Non-dimming add suffix ND
For DALI-2 dimming add suffix D
For BLUETOOTH dimming add suffix BT

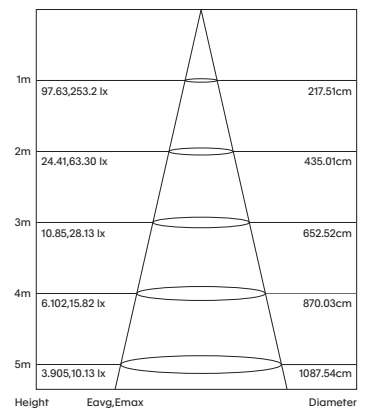
Example product order code configuration: LINIE-W5-11W-3K-ASY-ND-(WH)

Model	Wattage	CCT	Distribution	Driver	Luminaire Finish					
LINIE-W5	+	11W	+	3K	+	ASY	+	ND	+	WH

Light Distribution



Cone Diagram



1 Luminaire efficacy based on CCT 3000K; CCT variation will alter efficacy
2 +/- 10% stated initial LED and luminous flux tolerance
3 Colour Rendering Index; >90 Standard (Osram SMD series)
4 Charges apply for non-standard colour/s and dimming options
5 Five year manufacturer's warranty covering product defects and performance deficiencies