

Pro-Trak-SM

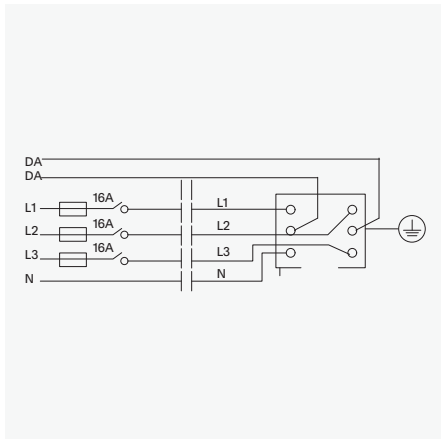
6 Wires Surface Mounted & Suspended Mounted Track



Track Finishes



3 Phases 230V 3x16A Max.



VOLTAGE 240VAC
 Track
 IP 20

 Bluetooth

 WARRANTY 5YR

Suspended
 Surface

The Pro-Trak system offers superior flexibility and ease of use, including installation. The luminaires can be installed and moved to any required position depending on requirements. Tool free installation can be achieved with a simple lock-in mechanism for circuit adjustment, remaining in place until you want to remove or re-position the luminaire.

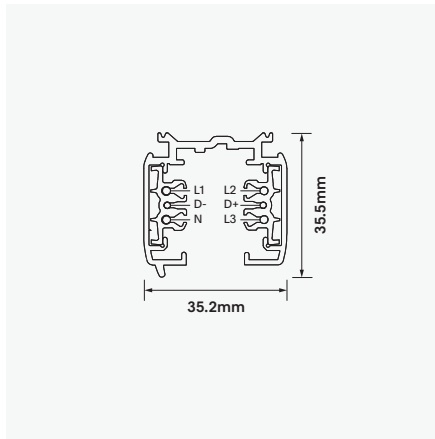
Pro-Trak allows for multiple designs with corners, L-Shape corners, + - Shape joiners, flexible joiners and suspension wires if required. Added flexibility can be had with integral DALI lines which allow for the grouping, individual addressing and dimming of luminaires.

The Pro-Trak system is designed to suit applications from residential through to retail and commercial. The Pro-Trak is covered by a 5 year warranty.

- Mounting: Surface (standard); Suspended optional
- Construction: Extruded 6063T grade aluminium and copper busbars
- Finish options: White, Black, Silver
- Accessories: Live ends, Dead ends, joiners, L-Shape joiners, +-Shape joiners, Flexi joiners, suspensions etc.
- Length (max.) 3000mm x Width 35.2mm x Height 35.2mm
- Ingress Protection rating: IP20
- Specifically designed for mains powered 240VAC spots, Linear and Pendants
- Compatible with on/off operation, DALI and BLE dimming protocols
- Weight/m: 960g
- Warranty: 5 year¹

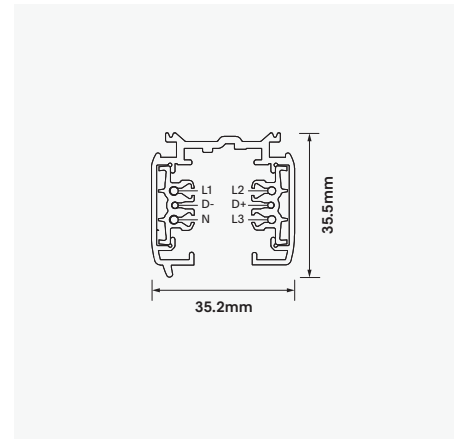
Surface / Suspended Track

Product No: PRO-TRK-3C-D-1M
Colour: White, Black, Silver
Size: L1000mm x W35.2mm x H35.5mm
Weight: 960g



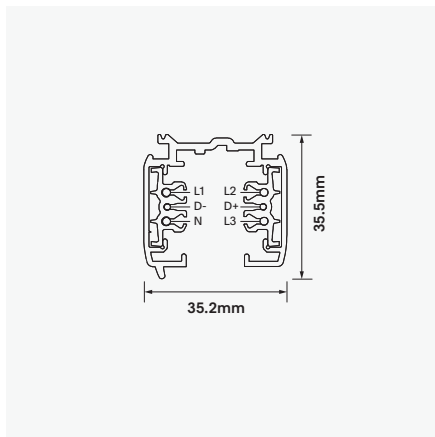
Surface / Suspended Track

Product No: PRO-TRK-3C-D-2M
Colour: White, Black, Silver
Size: L2000mm x W35.2mm x H35.5mm
Weight: 1.92Kg



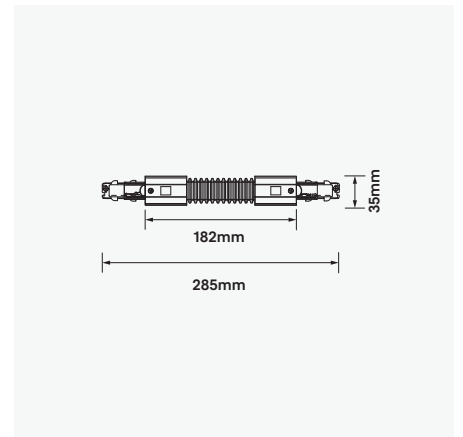
Surface / Suspended Track

Product No: PRO-TRK-3C-D-3M
Colour: White, Black, Silver
Size: L3000mm x W35.2mm x H35.5mm
Weight: 2.9Kg



Flexible Connector

Product No: PRO-TRK-3C-D-FJ
Colour: White, Black, Silver
Size: W203mm x H203mm
Weight: 177g

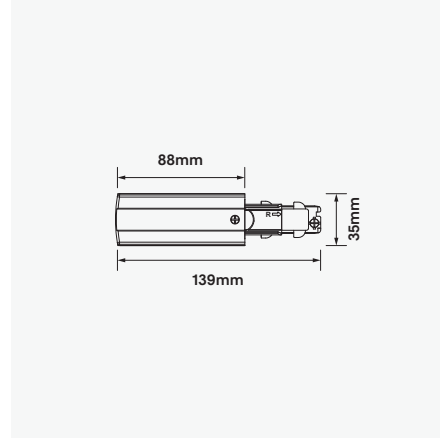


Pro-Trak-SM

6 Wires Surface Mounted & Suspended Mounted Track

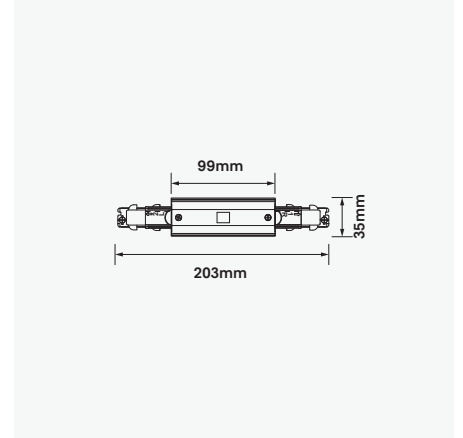
Live-end Connector-Left

Product No: PRO-TRK-3C-D-LEL
Colour: White, Black, Silver
Size: L88mm x W35mm x H35mm
Weight: 80g/m



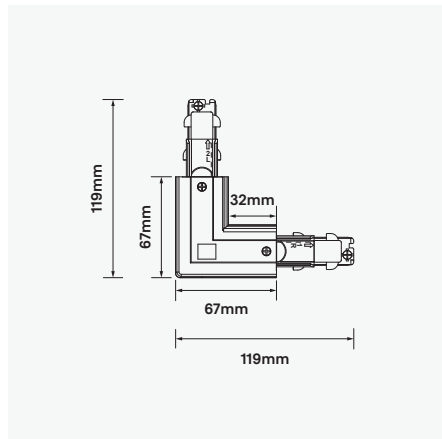
Power Straight Connector

Product No: PRO-TRK-3C-PC
Colour: White, Black, Silver
Size: L203mm x W35mm
Weight: 130g/m



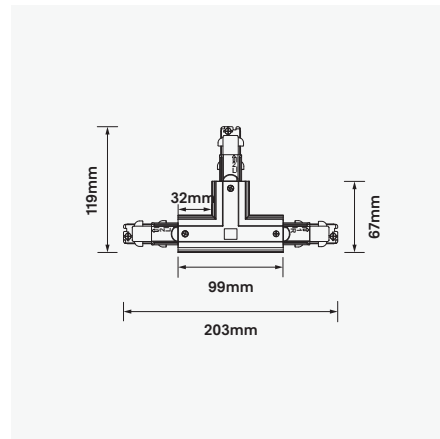
'L' Connector-Left

Product No: PRO-TRK-3C-D-LCL
Colour: White, Black, Silver
Size: L119 x 119mm
Weight: 125g/m



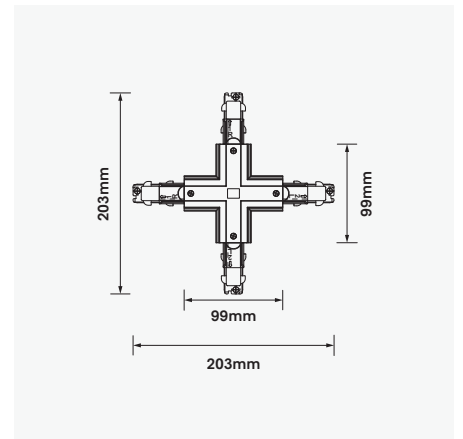
'T' Connector-Left

Product No: PRO-TRK-3C-D-TCL
Colour: White, Black, Silver
Size: L203mm x H119mm
Weight: 192g



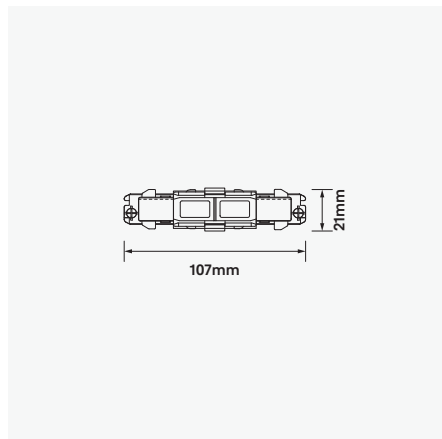
'+' Connector

Product No: PRO-TRK-3C-D-XC
Colour: White, Black, Silver
Size: L203mm x W203mm
Weight: 265g



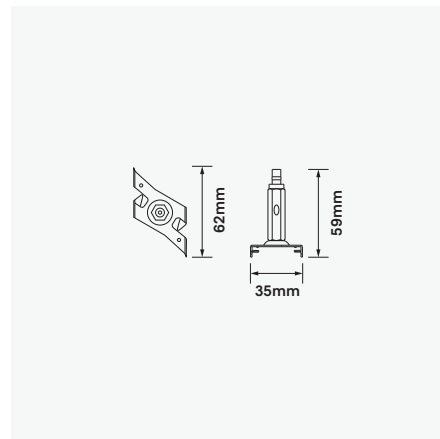
Mini Joiner

Product No: PRO-TRK-3C-D-MJ
Colour: White, Black, Silver
Size: L107mm x W21mm
Weight: 40g



Suspension Kit-Adjustable

Product No: PRO-TRK-SUS-3M-SIL | PRO-TRK-SUS-3M-BLK
Colour: Black, Silver
Size: L3000mm
Weight: 60g



End cap

Product No: PRO-TRK-3C-D-EC
Colour: White, Black, Silver
Size: W31mm x H35mm
Weight: 9g

